

# Induction generator with three-level inverters and LCL filter connected to the power grid

A. KASPROWICZ\*

Gdynia Maritime University, 81-87 Morska St., 81-225 Gdynia, Poland

**Abstract.** The paper presents an induction generator connected to the power grid using the AC/DC/AC converter and LCL coupling filter. In the converter, both from the generator and the power grid side, three-level inverters were used. The algorithm realizing pulse width modulation (PWM) in inverters has been simplified to the maximum. Control of the induction generator was based on the indirect field oriented control (IFOC) method. At the same time, voltage control has been used for this solution. The MPPT algorithm has been extended to the variable pitch range of the wind turbine blades. The active voltage balancing circuit has been used in the inverter DC voltage circuit. Synchronization of control from the power grid side is ensured by the use of a PLL loop with the system of preliminary suppression of undesired harmonics (CDSC).

**Key words:** induction generator, three-level inverter, voltage balancing, sinusoidal pulse width modulator (SPWM), maximum power point tracking (MPPT).

## 1. Introduction

Small wind power plants are becoming increasingly popular as sources of electric energy. They are mainly based on asynchronous machines. It is a cheaper solution as compared to the use of synchronous generators with electromagnetic excitation or permanent magnets. The machine itself is also much simpler and therefore more reliable. It can also be directly connected to the power grid in generator mode. Such a direct connection to the power grid does not require a special synchronization mode, which is a very important issue. However, it is only possible to produce and deliver electricity to the grid above a certain wind speed. In addition, there is also no possibility of electric control of active power output. When the machine is directly connected to the power grid, there is a demand for reactive power. This degrades the energy quality near the installation of such a generator. Accordingly, in order to improve the quality of the energy, reactive power compensation is required. In the simplest solution, it is a bank of capacitors. In more advanced systems, power electronics systems are used.

The above drawbacks of direct connection of the generator to the power grid in the context of current requirements related to combining new energy sources have considerably limited the possibilities of its application in recent times.

Currently, in order to eliminate the negative impact of the new energy sources connected to the power grid, various types of power electronic converters are used. They implement connections of newly connected sources to the power grid without

introducing distorted currents to it. Currents similar to sinusoidal are obtained by means of the control and application of the LCL filter. The use of power converters from the generator side and the power grid side has led to full conversion of the generated energy [1–3]. It also created the possibility of controlling the active power given to the power grid.

An additional functionality of using converters is also the ability to control reactive power. This solution also extends the wind speed range for which the power plant is able to give energy to the grid. The extension of the scope applies to both smaller and higher wind speeds at which existing systems have to already be disconnected.

Thanks to the fact that the system has full conversion of electrical energy, it was possible to implement the tracking of the maximum power generated by the generator in a wide range of wind speed.

There are many methods to track the maximum power [4]. However, the most common are three basic MPPT algorithms. The first of these is an algorithm based on the known dependence of the wind turbine power in function of the angular speed  $P_T(\omega_G)$  [2, 3]. The second one is based on the optimal speed ratio of the  $\lambda_{opt}$  turbine, but it requires the measurement of wind speed [5–8]. The third one is the incremental algorithm, which, without knowing the turbine parameters, continuously searches for operating conditions with maximum power for a given wind speed [9].

At present, AC/DC/AC converters are commonly used in systems with full energy conversion [1–3, 5]. Until recently, they were implemented on the basis of two-level inverters [2]. Currently, multilevel inverters are used more and more often that place [3]. An increased number of levels allowed them for better shaping of output currents at the same average number of joins of elements. An important feature of circuits

\*e-mail: a.kasprowicz@we.umg.edu.pl

Manuscript submitted 2018-08-20, revised 2018-11-10 and 2018-12-28, initially accepted for publication 2019-02-12, published in June 2019.

with AC/DC/AC converters has become the possibility of their autonomous operation for dedicated recipients. This can be done in the event of power failure from the grid or after the generator is self-excited without the network [3]. Autonomous work is not the subject of the article and will not be discussed here.

## 2. Model of wind turbine

The induction generators in wind power plants are driven by wind turbines with different rotation axis arrangements. The case modelled in this article refers to the turbine with horizontal axis of rotation. For this turbine, the mechanical power is given by (1).

$$P_m = 0.5\rho AV_w^3 C_p(\lambda, \beta) = 0.5\rho\pi R_b^2 V_w^3 C_p(\lambda, \beta) \quad (1)$$

where:  $C_p(\lambda, \beta)$  is the wind turbine power coefficient,  $V_w$  is the wind speed, and  $\rho$  is the air density (assumed  $\rho = 1,225 \text{ kg/m}^3$ ).

The power coefficient  $C_p(\lambda, \beta)$  in (1) is given by the empirical relation (2) [5].

$$C_p(\lambda, \beta) = 0.5176(116\lambda_i - 0.4\beta - 5)e^{-21\lambda_i} + 0.0068\lambda \quad (2)$$

where:  $\lambda_i = \frac{1}{\lambda + 0.08\beta} - \frac{0.035}{1 + \beta^3} \quad \lambda = \frac{\omega_T R_b}{V_w}$

where:  $\lambda$  is the turbine blade tip speed ratio, and  $\beta$  is the turbine blade setting angle,  $\omega_T$  is the angular speed of the turbine, and  $R_b$  is the turbine rotor radius.

In the simulation system, the wind turbine model described above was used to drive an induction generator. For the purposes

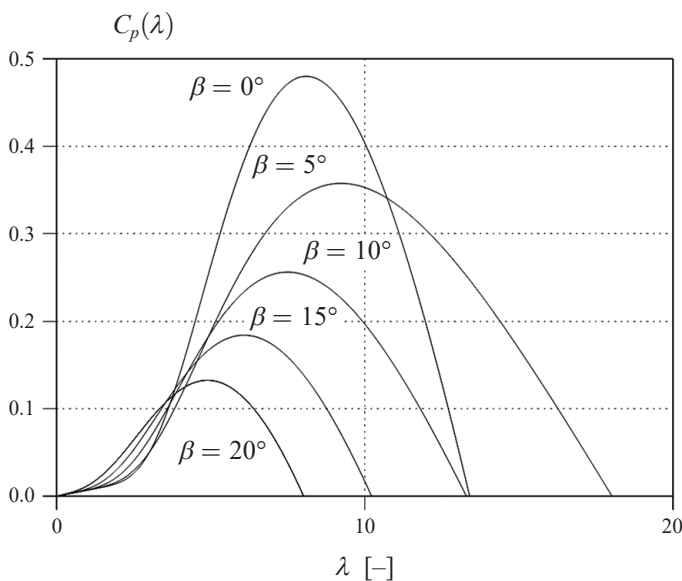


Fig. 1. Power factor  $C_p(\lambda, \beta)$  as a function of the turbine speed ratio for five values of the setting angle

of simulation tests, the dimensions of turbine blades  $R_b = 3 \text{ m}$  and gearbox  $G = 5$  were arbitrarily adopted. The maximal power factor for the adopted model (2) was  $C_p(\lambda, \beta) = 0.48$  for  $\lambda = 8.1$ . The determined values refer to the zero setting angle of the turbine blades  $\beta = 0$ . Figure 1 shows the turbine power factor  $C_p(\lambda, \beta)$  for five different turbine blade pitch settings.

However, Fig. 2 shows the power of the turbine described above as a function of the angular velocity of the induction generator for different wind speeds with zero blade angle adjustment. The diagram of maximum power is shown on the background of these characteristics. This waveform is described in equation (3a).

$$P_{max} = c_\beta K(\omega_G/G)^3 \quad (3a)$$

$$c_\beta = \left( \frac{\lambda_{opt0}}{\lambda_{opt\beta}} \right)^3 \frac{C_p(\lambda_{opt\beta}, \beta)}{C_p(\lambda_{opt0}, 0^\circ)} \quad (3b)$$

where  $K = 0,4223$ .

Equation (3a) for  $c_\beta = 1$  describes the generator's maximum power  $P_{Gmax}$  for zero adjustment of the blade angle,  $\beta = 0$ . When the value of power generated exceeds the power rating of the generator  $P_N$ , the setting of the angle of the blades changes. To ensure the operation of the generator with the maximum power factor  $C_p(\lambda, \beta)$  under the new conditions, the coefficient  $c_\beta$  is also changed in accordance with the relation (3b).

Equation (3a) is the basis for the implementation of the Maximum Power Point Tracking method. The tracking method based on the above equation will be used in the further part of the article in simulations of the wind farm system with an induction generator.

The wind turbine (Fig. 3) was modeled based on the equations (1÷2) and the characteristics  $C_p(\lambda, \beta)$  (Fig. 1).

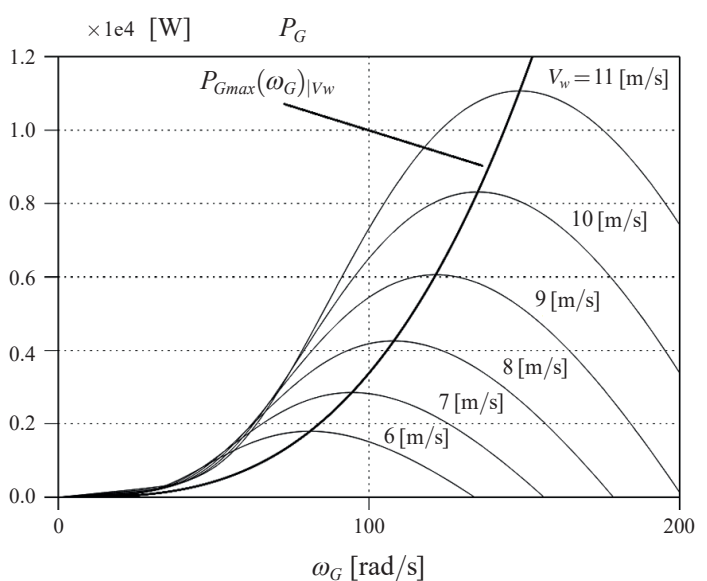


Fig. 2. Wind turbine power  $P_T$  in relation to the generator angular speed  $\omega_G$  for different wind speeds  $V_w$  and  $\beta = 0^\circ$

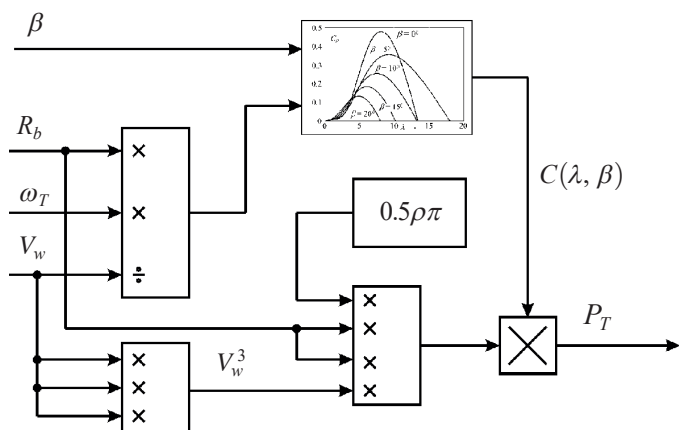


Fig. 3. A mathematical model of a wind turbine used for simulation studies of a power plant

### 3. Multi-level inverters connecting the generator to the power grid

In the connection system of the induction generator to the power grid, three-level inverters were used from both the generator and the power grid side. The types of inverters which were taken into consideration included: neutral point clamped (NPC) inverter, and neutral point piloted (NPP) inverter. Although the NPC inverters contain more elements, they have been accepted for further simulation studies.

In the DC circuit, active balancing of voltage unbalance [10] was applied.

The scheme of a three-level inverter used in simulations on the generator and power grid side, with the active voltage balancing system, is shown in Fig. 4.

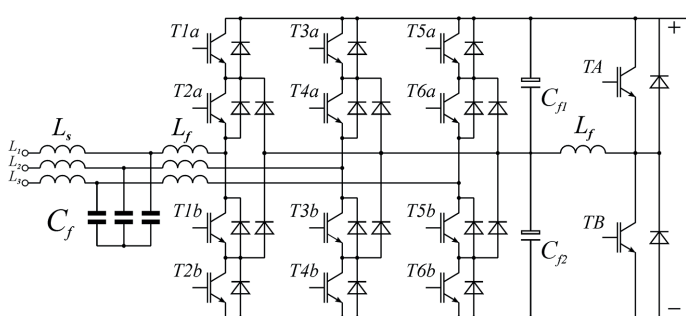


Fig. 4. A three-level NPC inverter with autonomic voltage balancing on capacitors  $C_{f1}$  and  $C_{f2}$

### 4. SPWM modulator of multi-level inverter

A simple algorithm based on sinusoidal pulse width modulation (SPWM) has been used to generate control signals for a multi-level inverter. It is implemented independently for each phase.

At the initial stage, the set signals of phase voltages are modified by adding to them a waveform (4) that allows increasing the output voltage of the inverter.

$$u_{kom} = \frac{\max(u_{aref}, u_{bref}, u_{cref}) + \min(u_{aref}, u_{bref}, u_{cref})}{2} \quad (4)$$

$$u_{xref} = u_{xref} - u_{kom} \quad x = a, b, c.$$

The obtained modified signals are compressed to a range of  $\pm 2$  using the  $U_{DC}$  intermediate circuit voltage (5).

$$u_x = 2 \frac{u_{xref}}{U_{DC}} \quad x = a, b, c. \quad (5)$$

In the next processing step, the signals were shifted by adding a constant component to them with a value of 2. As a result of this operation, unipolar signals in the range of values from 0 to 4 (6) were obtained.

$$u_{px} = u_x + 2 \quad x = a, b, c. \quad (6)$$

Signals processed this way are analyzed in two ranges, in the range of values 0–2 and 2–4. In each of these intervals, the SPWM modulation is implemented independently. In the range of values from 2–4, signals are generated for the upper transistors of each inverter branch  $T1a, T3a, T5a$  and in the range of values from 0–2 for the lower transistors  $T2a, T4a, T6a$ . The other inverter transistors are controlled by complementary signals  $T1b, T3b, T5b$  and  $T2b, T4b, T6b$  respectively (Fig. 4).

The durations of the control signals for a single switching cycle of the transistors are calculated twice in advance of the half cycle after the prediction has been applied to the set signals. They are performed at the beginning and in the middle of the switching cycle. The control signals obtained in this way may be asymmetrical with respect to the center of the switching cycle. The implementation of the control described above, however, halves the delay in the system response to changes in the set point and load in relation to the single calculation of the signal duration only at the beginning of the switching cycle.

Simple mathematical relations, without trigonometric functions, significantly reduced the calculation time. In the initial phase, the implementation of the algorithm was limited to determining the range of the offset value of the set signal. The calculation procedure is started only after the preparation phase. In the case when the value of the set point signal was in the second range, the initial offset value should be subtracted before making the calculation. This operation is not required when the signal value is in the first range (7).

$$u_{rx} = \begin{cases} u_{px} - 2 & 2 < u_{px} < 4 \\ u_{px} & 0 < u_{px} < 2 \end{cases} \quad x = a, b, c. \quad (7)$$

Eventually, the calculation of the delay times of the switching signals of the transistors, in relation to the beginning and the

middle of the switching cycle, are performed based on dependencies (8).

$$T_a = (1 - 0.5u_{rx})T_p \quad x = a, b, c \quad (8)$$

where  $T_p$  is the half of the interval  $T_{PWM}$ , and  $u_{rx}$  is the reduced value of the set voltage.

The switching delay time determined on the basis of the above dependence applies only to one transistor from the complementary pair in the phase. At that time, the transistor from the second complementary pair can be switched on for the time equal to half of the connection cycle (second interval) or off for the time equal to half of the connection cycle (first interval) (9). It depends on the actual value of the set signal.

$$\begin{cases} T_{xi} \\ T_{x(i+1)} \end{cases} = \begin{cases} (1 - 0.5u_{rx})T_p & 2 < u_{px} < 4 \\ 0 & \\ T_p & \\ (1 - 0.5u_{rx})T_p & 0 < u_{px} < 2 \end{cases} \quad (9)$$

where:  $[x, i] \in \langle a, 1; b, 3; c, 5 \rangle$

Figure 5 shows the waveforms of transistor control signals realized using the presented algorithm. They present the determined operating state of the three-level inverter.

The above algorithm can be easily adapted for controlling the operation of inverters with a larger number of levels.

## 5. Field-oriented generator control with indirect orientation of the vector (IFOC)

In the power plant system, the generator function is a cage induction motor with the rated data in the Appendix.

Direct cooperation of such a generator with the power grid is possible, but only in a very narrow range of angular velocities. In order to extend the speed range for which the generator will be able to supply energy to the power grid, a solution with full conversion based on the AC/DC/AC system was used. It forced the necessity of using the converter also on the generator side. In order to unify control systems and create the possibility of using medium voltage generators in the future, three-level inverters were used.

The generator-side inverter control algorithm was based on field-oriented control with indirect field vector orientation with voltage control. It is relatively simple and allows setting the electromagnetic moment of the generator load. This is the starting point for the implementation of the MPPT algorithm.

The cage induction motor model in the synchronous system of the rotor flux is described by the voltage-current vector equation (10).

$$T_r = \frac{d\vec{\psi}_r}{dt} + (1 + jT_r\omega_r)\vec{\psi}_r = L_m\vec{i}_f \quad T_r = \frac{L_r}{R_r} \quad (10)$$

After separation into the real and imaginary part, it allows to determine the rotor flux  $\psi_r$ , the slip pulsation  $\omega_r$  and the electromagnetic torque of the motor  $m_e$  (11).

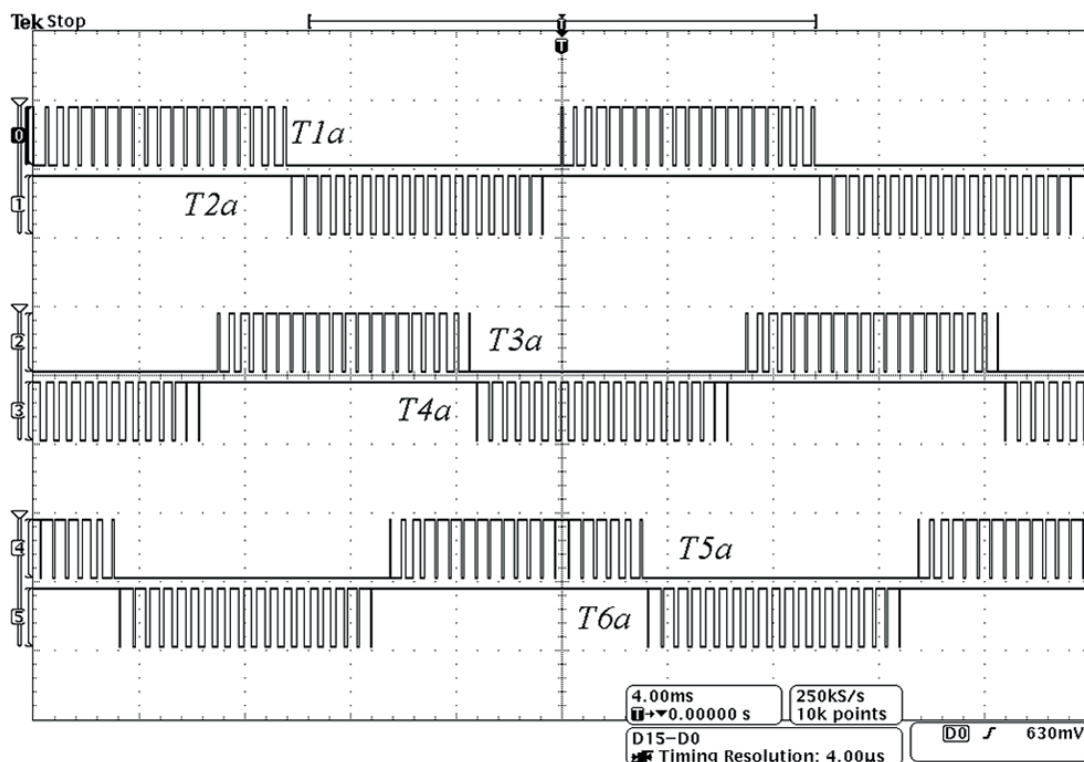


Fig. 5. Control signals based on the proposed algorithm (experiment)

$$T_r = \frac{d\psi_r}{dt} + \psi_r = L_m i_{fd} \quad \omega_r = \frac{L_m}{T_r} \frac{i_{fq}}{\psi_r} \quad (11)$$

$$m_e = \frac{3}{2} p_b \frac{L_m}{L_r} \psi_r i_{fq}$$

Equations (11) describe the induction motor in synchronous system. They also make it possible to calculate the set component values  $i_{fd}^*$ ,  $i_{fq}^*$  of the inverter output current. These current components were calculated for the assumed value  $\psi_r^*$  of the rotor flux and the set value  $m_e^*$  of the electromagnetic torque. To enable wider use of the motor as the generator, the rotor flux was assumed equal to the rated flux. On the other hand, the set moment was calculated in MPPT system, based on the current angular speed  $\omega_G$  of the generator shaft. As a result of such procedure, relations (12) were obtained. They allowed to determine the inverter control in a further calculation step.

$$i_{fd}^* = \frac{1}{L_m} \psi_r^* \quad \omega_r^* = \frac{2}{3p_b} R_r \frac{m_e^*}{|\psi_r^*|^2} \quad i_{fq}^* = \frac{2}{3p_b} \frac{L_m}{L_r} \frac{m_e^*}{\psi_r^*} \quad (12)$$

Figure 6 shows the inverter control algorithm from the generator side using the IFOC method based on dependence (12).

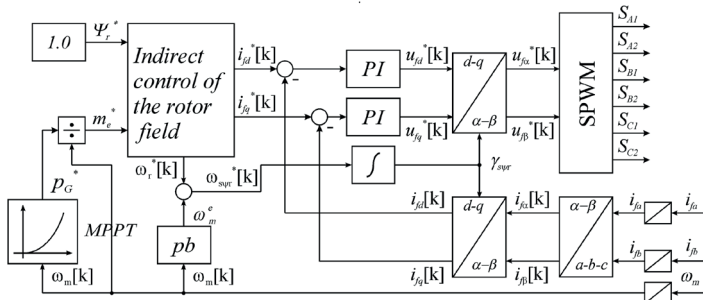


Fig. 6. Block diagram of the IFOC induction generator control algorithm

## 6. Control of the power grid converter

The AC/DC/AC system's output converter works with the power grid directly. Its basic task is to supply energy generated by the generator to the grid. Thanks to the extended control algorithm, it can also act as a reactive power compensator.

In general, the grid voltage can be strongly distorted and contain higher harmonics with significant amplitudes. In the simulation tests, two harmonics were taken into account: 5 h with a value of 5% of the fundamental value of the harmonic and phase 30° and 7 h with a value of 3% of the fundamental value of the harmonic and phase of -20°. The condition of proper cooperation with the power grid is a good synchronization of the control system with the basic voltage harmonic. This goal was achieved using the PLL algorithm. However, when the network voltage is distorted, good synchronisation is

not sufficient to obtain the nearly sinusoidal voltage waveform with small content of higher harmonics. In order to perform the above task, the LCL filter was used in the inverter coupling system with the power grid, and the prediction in the control algorithm was applied [12, 13]. The use of the filter in conjunction with the prediction has improved the shape of the grid current by reducing the content of higher harmonics below 1%.

The equivalent filter scheme is shown in Fig. 7. It has a high damping factor of 60 dB/dec for frequencies above the resonant frequency. By appropriate selection of the resonant frequency, the modulation signal can be very effectively suppressed. However, it is a third-order filter and oscillations may occur in the output current, which must also be effectively suppressed.

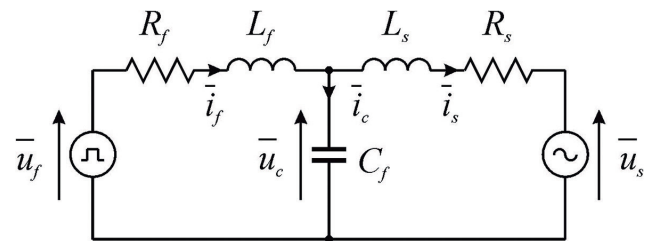


Fig. 7. Equivalent LCL coupling filter scheme

Equations (13a-c) describe the LCL filter in a continuous form.

$$L_s = \frac{d\vec{i}_s}{dt} + \vec{i}_s R_s = \vec{u}_c - \vec{u}_s \quad (13a)$$

$$L_f = \frac{d\vec{i}_f}{dt} + \vec{i}_f R_f = \vec{u}_f - \vec{u}_c \quad (13b)$$

$$C_f \frac{d\vec{u}_c}{dt} = \vec{i}_f - \vec{i}_s \quad (13c)$$

When switching to a discrete form, a description based on averaged momentary values of the grid voltage, inverter and capacitor was used.

Finally, the predictive control algorithm with the model was described using four vector equations (14) [11].

$$\vec{u}_f[k+1|k+2] = \vec{u}_c[k+1|k+2] + (\vec{i}_f[k+2] - A_f^* \vec{i}_f[k+1])/B_f$$

$$\vec{i}_f[k+2] = \vec{i}_s[k+2] + (\vec{u}_c[k+2|k+3] - A_f^* \vec{u}_c[k+1|k+2])/B_f \quad (14)$$

$$\vec{u}_c[k+1|k+2] = A_c^* \vec{u}_c[k|k+1] + B_c^* (\vec{i}_f[k+1] - \vec{i}_s[k+1])$$

$$\vec{u}_c[k+2|k+3] = \vec{u}_s[k+2|k+3] + (\vec{i}_s[k+3] - A_s^* \vec{i}_s[k+2])/B_s$$



For a third-order filter, the prediction of two advance steps is required. In order to implement the control in the above equations, the grid current values were replaced with their set values:  $\vec{i}_s[k+2] = \vec{i}_s^*[k+2]$  and  $\vec{i}_s[k+3] = \vec{i}_s^*[k+3]$ . The remaining values were determined based on equation (15).

$$\begin{aligned} \vec{i}_s[k+1] &= A_s * \vec{i}_s[k] + B_s * (\vec{u}_c[k|k+1] - \vec{u}_s[k|k+1]) \\ \vec{i}_f[k+1] &= A_f * \vec{i}_f[k] + B_f * (\vec{u}_f[k|k+1] - \vec{u}_c[k|k+1]) \\ \vec{u}_c[k|k+1] &= A_c * \vec{u}_c[k-1|k] + B_c * (\vec{i}_f[k] - \vec{i}_s[k]) \\ \vec{u}_c[k-1|k] &= 0.5 * (\vec{u}_c[k-1] + \vec{u}_c[k]). \end{aligned} \quad (15)$$

The coefficients occurring in the equations were determined based on the equations of the filter state and assuming the constancy of the element parameters, they can be calculated based on the dependence (16).

$$\begin{aligned} A_s &= 1 - \exp(-T_s/T_e) & B_s &= (1 - A_s)/R_s \\ A_f &= 1 - \exp(-T_s/T_f) & B_f &= (1 - A_f)/R_f \\ A_c &= 1 - \exp(-T_s/T_c) & B_c &= (1 - A_c)*R_c \\ T_e &= L_s/R_s & T_f &= L_f/R_f & T_c &= C_f R_c \end{aligned} \quad (16)$$

In equations (13, 14), the average grid voltage was used for the intervals  $[k|k+1]$ ,  $[k+1|k+2]$  and  $[k+2|k+3]$  and the currents from the moment of measurement  $[k]$ . The averaging refers to half of the switching cycle of transistors. The coefficients in the equations include such parameters of the coupling system as the filter inductances  $L_s$  and  $L_f$ , filter resistances  $R_s$  and  $R_f$ , as well as capacitance  $C_f$  and resistance  $R_c = \text{ESR}$ .

The voltage values of the power grid at the time  $[k+1]$ ,  $[k+2]$  and  $[k+3]$  were determined by summing (19) rotated vectors, basic (17) and higher harmonics (18), grid voltage. On the other hand, the size of the rotation angle of the vector components depends on their pulsation  $\omega_{P11h}$ ,  $\omega_{mh}$  and sampling time  $T_s$ .

$$\vec{u}_{sP11h}[k+n] = \vec{u}_{sP11h}[k] (\cos(nd\gamma_{P11h}) + j\sin(nd\gamma_{P11h})) \quad (17)$$

where:  $d\gamma_{P11h} = 2PIf_{P11h}T_s \quad n = 1, 2, 3$

$$\vec{u}_{smh}[k+n] = \vec{u}_{smh}[k] (\cos(nd\gamma_{mh}) + j\sin(nd\gamma_{mh})) \quad (18)$$

where:  $d\gamma_{mh} = 2PIf_{mh}T_s \quad m = 5, 7, \dots \quad n = 1, 2, 3$

$$\vec{u}_s[k+n] = \vec{u}_{sP11h}[k+n] + \sum_m \vec{u}_{smh}[k+n] \quad (19)$$

where:  $n = 1, 2, 3 \quad m = 5, 7, \dots$

The components of the current  $i_{s\alpha\beta}$  and  $i_{f\alpha\beta}$  for time  $[k+1]$  (15) are determined based on prediction with the model of coupling circuit (Fig. 7).

The set value of the current was determined based on the definition of instantaneous powers for the first harmonic, given by Hirofumi Akagi (20) [11].

$$\begin{aligned} p^*[k] &= u_{s\alpha P11h}[k] i_{s\alpha}^*[k] + u_{s\beta P11h}[k] i_{s\beta}^*[k] \\ q^*[k] &= u_{s\beta P11h}[k] i_{s\alpha}^*[k] - u_{s\alpha P11h}[k] i_{s\beta}^*[k] \end{aligned} \quad (20)$$

The set value of the current is determined, in the form of components, from relations (20). It refers to the actual time  $[k]$ . However, in relations (14), values of currents are also required for times  $[k+2]$  and  $[k+3]$ . Assuming that the power grid current should have the sinusoidal waveform, the required quantities can be easily obtained. For this purpose it is carried out twice and three times the rotation of the reference current vector, determined for the instant  $[k]$  based on the dependence (20), by the angle determined from the fundamental harmonic voltage of the power grid frequency  $f_{P11h}$  of network voltage and the sampling interval  $T_s$  (21).

$$\vec{i}_s^*[k+n] = \vec{i}_s^*[k] (\cos(n*d\gamma_{P11h}) + j\sin(n*d\gamma_{P11h})) \quad (21)$$

where:  $d\gamma_{P11h} = 2PIf_{P11h}T_s \quad n = 2, 3$

Figure 8 shows a block diagram of the grid converter control algorithm based on the presented dependencies.

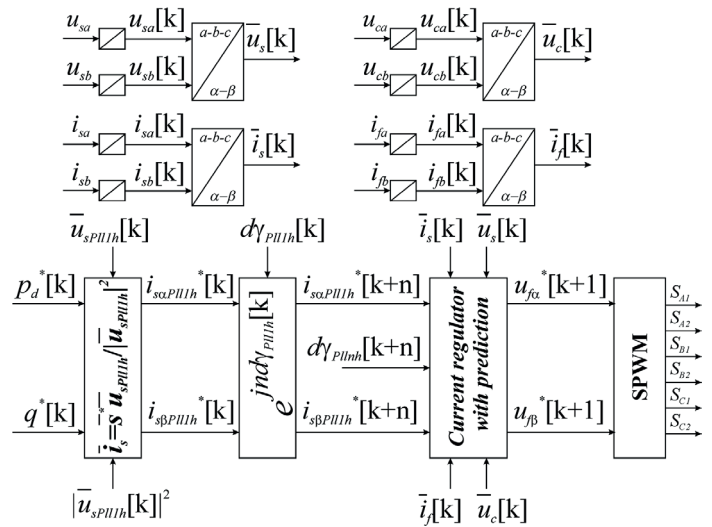


Fig. 8. Block diagram of the grid converter control algorithm

## 7. Synchronization of control to the voltage of the power grid

As mentioned earlier, the control of the converter, which is connected to the power grid, requires precise synchronization with the voltage waveform. In the presented system, this process takes place in two stages. In the first stage, the maximum harmonics are suppressed using the cascade system (CDSC) [14–16].

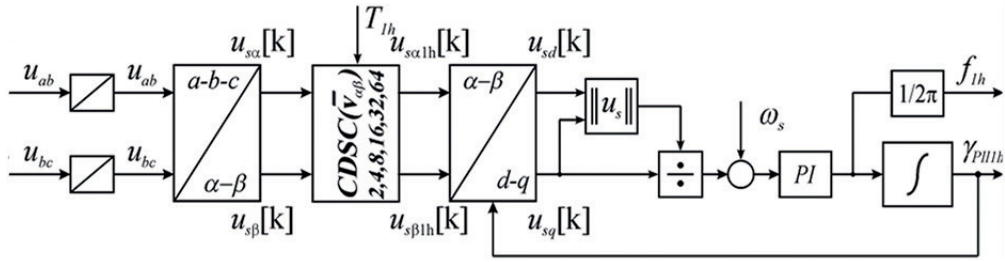


Fig. 9. Block diagram of CDSC – PLL system

A valuable feature of this system is that it does not introduce, or introduces a negligibly small value of, phase shift of the input waveform first harmonic.

The second stage is proper synchronization with the fundamental harmonic of the power grid voltage. Figure 9 shows the implemented synchronization system.

### 8. Wind power plant system

Figure 10 shows a complete block diagram of a wind power plant connected to the power grid by three-level inverters. The connection between the power plant and the power grid is constituted by an LCL filter with the parameters given in the Appendix. In the DC circuit there is a voltage balancing system on capacitors  $C_{f1}$  and  $C_{f2}$ . Between the control systems: generator and power grid inverter, feed-forward power coupling has been used. This speeds up the transient processes in the converter system at rapid changes in wind speed.

### 9. Simulation tests of a wind power plant

Simulation tests of the system were carried out using the PLECS software package in version 4.1.8. From this package, only library elements of the main circuit were used for modelling. These elements include: model of induction motor, transistors, inductances, and capacitances, as well as current, voltage, and speed measurement systems. The control algorithm was written in the C programming language. After compiling, in the form of a dynamic library \*.dll, it was attached to the main program modeling system. The control algorithm is called from the main program every 50 us (20 kHz similarly as it is done in the real system as part of the interrupt service. However, the frequency of switching of transistor keys is by half lower and in the tested system it is 10 kHz.

The procedure presented above was dictated by the fact that in the case of experimental implementation, the tested algorithm can be easily transferred to a microprocessor controller with a small amount of work during modification. The simulation

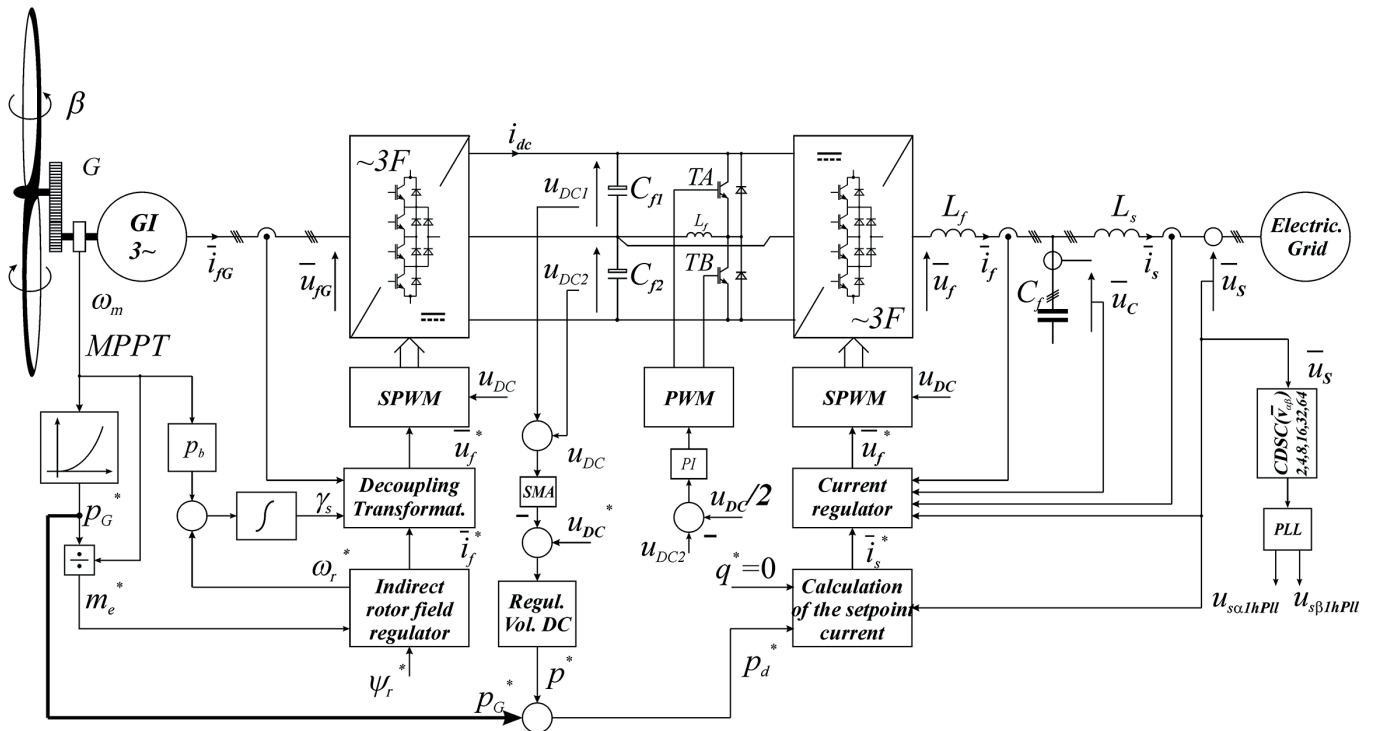


Fig. 10. Wind power plant with an induction generator and AC/DC/AC converter based on three-level inverters

research process carried out in this way will reproduce the working conditions of the real system fairly reliably.

During the simulation tests, the wind was modeled changing in the cycle from 6 m/s to 9 m/s and further to 11 m/s and from 11 m/s to 9 m/s finishing at 6 m/s with phases of constant speed value.

The operation of the system for the above test scenario is given in Fig. 11, which shows the assumed changes of wind speed  $V_w$  and the corresponding changes of angular speed  $\omega_G$  and power  $P_G$  of the generator, as well as of power  $P_S$  supplied to the power grid.

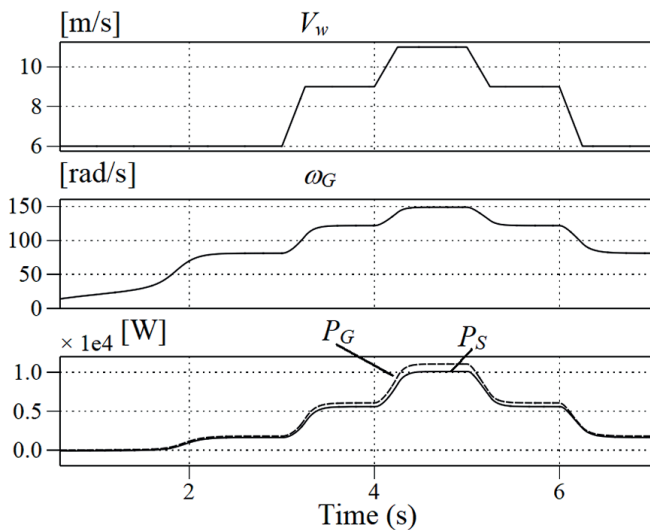


Fig. 11. Assumed changes in wind speed  $V_w$  and corresponding changes in angular velocity  $\omega_G$ , generator power  $P_G$  and power grid  $P_S$

Figure 12a shows the waveforms of generator power  $P_G$  as function of its angular speed  $\omega_G$ , while Fig. 12b presents the waveform of wind turbine power coefficient  $C_p(\lambda, \beta)$ . These two waveforms were obtained for different wind speeds at a constant turbine blade pitch  $\beta = 0^\circ$ . Power values at which changes start, after changes in wind speed, allow to conclude on the good implementation of the maximum power point tracking in steady states.

Figures 13 and 14 show changes in wind speed  $V_w$ , angular speed  $\omega_G$  and power of generator  $P_G$  as well as of power  $P_S$  supplied to the power grid. The presented waveforms refer to the case of wind speed increase from 9 m/s through 12 m/s up to 14 m/s, and the decrease within the same range. When the wind speed exceeded 11 m/s, the generated power was higher than the rated power of the generator. In order to limit the power, the angle of the wind turbine blades setting was changed from  $\beta = 0^\circ$  to  $\beta = 10^\circ$  to reduce the generated power. Despite this change, the wind power plant continues to work with the tracking of the maximum power point by correcting the coefficient 'c $_{\beta}$ ' in accordance with the equation 4b. On the basis of the waveform (Fig. 11) determined the efficiency of the system, which, for a predetermined wind velocity  $V_w = 11$  m/s and an angle  $\beta = 0^\circ$  was  $\eta \cong 91.2\%$ .

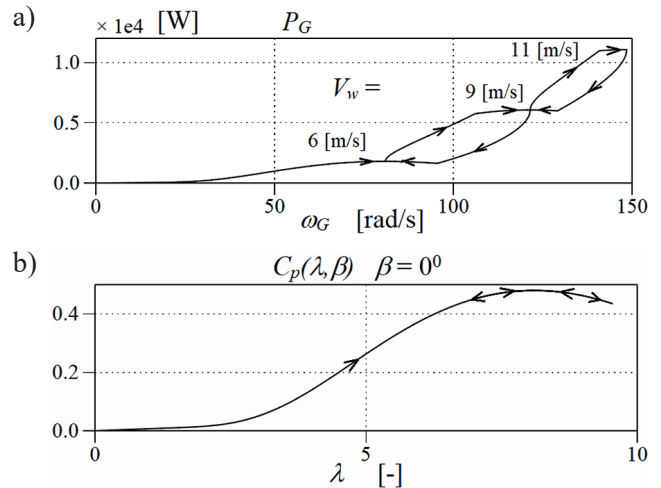


Fig. 12. Waveforms of generator power  $P_G$  and turbine power coefficient  $C_p(\lambda, \beta)$  for changing wind speed  $V_w$  and blade angle equal to  $\beta = 0^\circ$

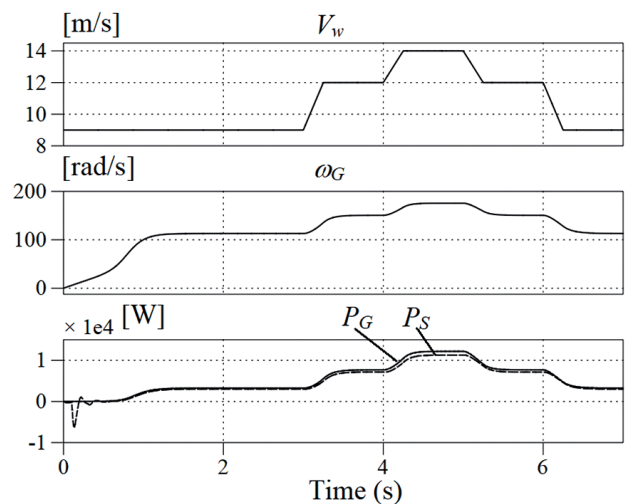


Fig. 13. Waveforms of wind speed  $V_w$ , generator angular speed  $\omega_G$  and power  $P_G$ , and grid power  $P_S$ , for  $\beta = 10^\circ$

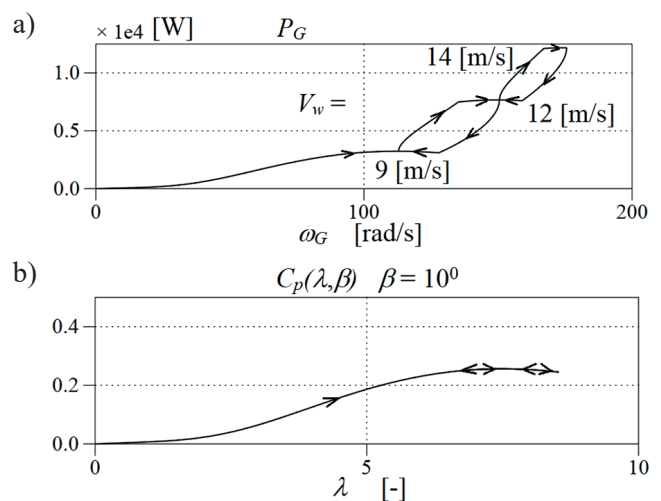


Fig. 14. Waveforms of generator power  $P_G$  and turbine power coefficient  $C_p(\lambda, \beta)$  for changing wind speed  $V_w$  and blade angle equal to  $\beta = 10^\circ$



Figures 15 and 16 show the transient processes occurring in a wind power plant during a linear change of the turbine blade angle setting in the range from  $\beta = 0^\circ$  to  $\beta = 15^\circ$ , at constant wind speed. In the initial phase of changes of  $\beta$ , a slight increase of generator angular speed  $\omega_G$  is observed, but then it decreases to the final steady-state level below the initial speed. As a result, the power factor  $C_p(\lambda, \beta)$  decreases (Fig. 16b) from the optimum value for the set wind speed  $V_w = 11$  m/s and angle  $\beta = 0^\circ$  to the optimal value for the angle  $\beta = 15^\circ$ . Therefore, the power  $P_G$  generated and  $P_S$  supplied to the power grid is also decreasing (Fig. 15, 16a).

Figure 17 shows voltage  $u_{abG}$  and current  $i_{aG}$  waveforms on the generator inverter side. The waveforms on the left refer to the change in wind speed in the range from 6 to 9 m/s, while on the right side the wind speed varies from 9 to 6 m/s. The center

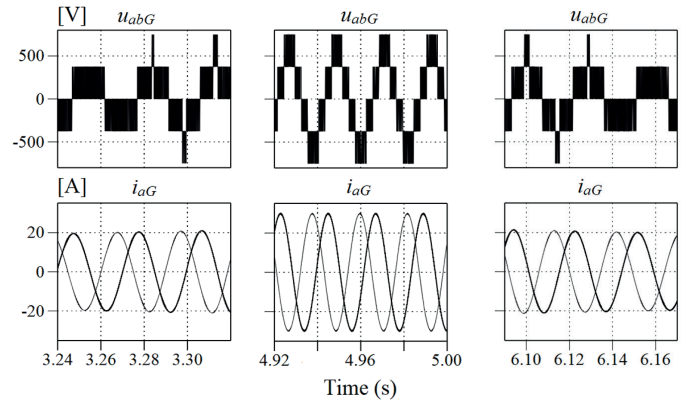


Fig. 17. Waveforms of generator voltage  $u_{abG}$ , and current  $i_{aG}$ , at changing (left and right) and constant wind speed equal to 11 m/s (centre)

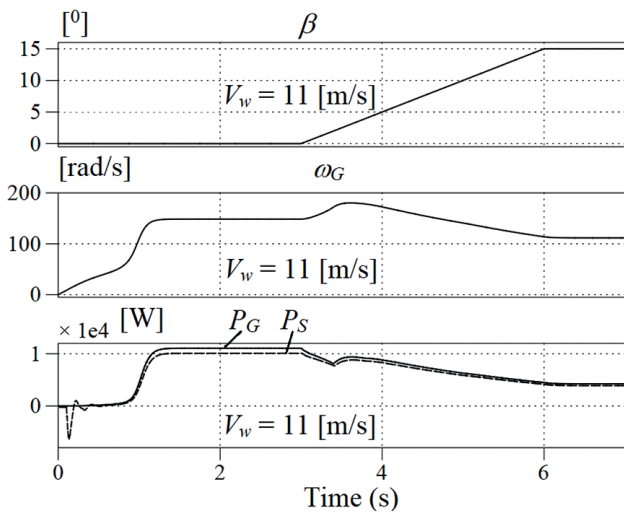


Fig. 15. The waveforms of the angle of the wind turbine blades  $\beta$ , the angular velocity  $\omega_G$ , the power  $P_G$  and supplied to the power grid  $P_S$

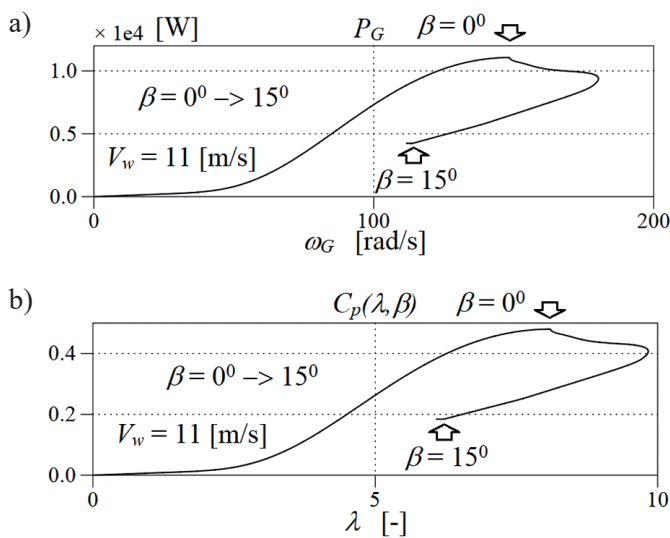


Fig. 16. Waveforms of generator power  $P_G$  and turbine power coefficient  $C_p(\lambda, \beta)$  for constant wind speed and blade setting angle  $\beta$  changing from  $0^\circ$  to  $15^\circ$

waveforms show the steady state of the generator at wind speed of 11 m/s. Despite the wide range of wind speed variations, the converter work is correct. The converter passes without disturbance to the three-level mode when the wind speed increases and vice versa to the two-level mode while reducing the wind speed. The obtained waveforms indicate the correct operation of the system in various conditions.

The proposed simplified algorithm of the three-level inverter modulator works correctly. This is confirmed by the simulation results obtained. Switching processes of transistors are ordered and there are no uncontrolled switching in them as evidenced by voltage waveforms.

In all of the above cases, the generator current is close to sinusoidal with a low content of higher harmonics (Fig. 17). Higher harmonics generating pulsating torque and increase the loss of induction generator so their lack of positive effect on the system.

Figure 18 shows the voltage waveforms  $u_{abf}$  of the converter connecting the system to the power grid, the power of

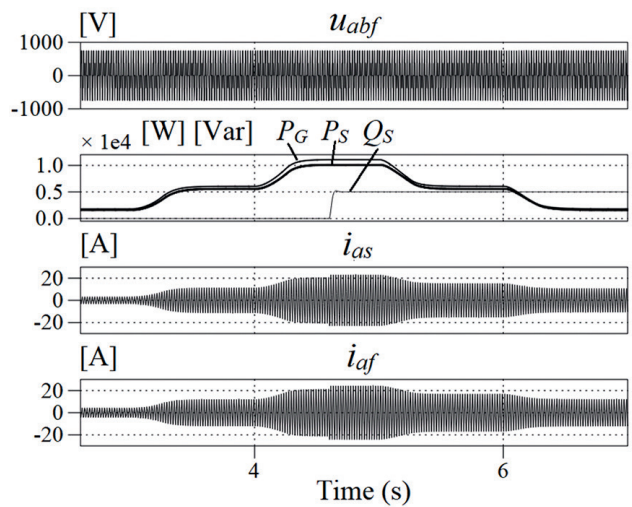


Fig. 18. Waveforms of the generator's phase-to-phase voltage  $u_{abf}$ , power output  $P_G$ , power supplied to the grid  $P_S$ , reactive power  $Q_S$ , grid current  $i_{as}$  and inverter current  $i_{af}$

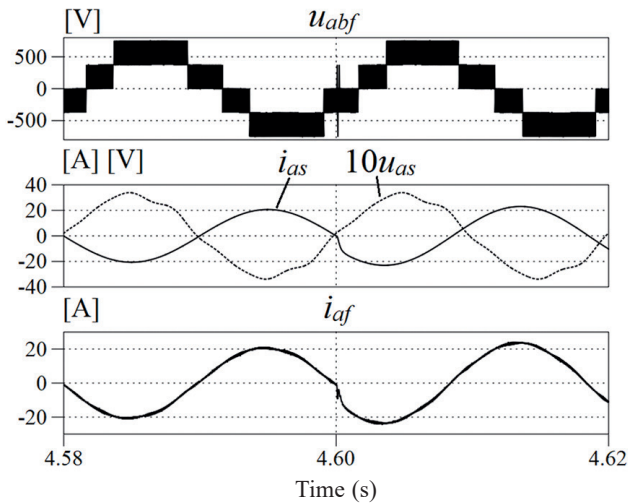


Fig. 19. Waveforms of the phase-to-phase voltage of the power grid  $u_{abf}$ , voltage  $u_{as}$  and current  $i_{as}$  of the grid and inverter current  $i_{af}$  for change of reactive power

the induction generator  $P_G$ , power supplied to the power grid  $P_S$  and reactive power  $Q_S$ .

The lower part of the figure shows the waveform of the power grid current  $i_{as}$  and the output current of the inverter  $i_{af}$ . The waveforms were obtained during the sequence of wind speed changes from 6 m/s by 9 m/s to 11 m/s and in the opposite direction of changes ending with the wind speed of 6 m/s.

On the waveforms, an increase in the current can be observed at the moment of setting reactive power. Figure 19 shows in detail the steady state of the power plant operation at a wind speed of 11 m/s with a load determined from the operation of the MPPT system. To fully illustrate the system's capabilities at time  $t = 4.6$  s, the reactive power of  $Q_S = 5$  kVar was applied to the grid converter control system (Fig. 18). This caused temporary additional switching of the inverter transistors. They are clearly visible on the output waveform of the  $u_{abf}$  inverter (Fig. 19). They cause immediate displacement of the  $i_{as}$  current grid phase (Fig. 19). However, a fast change of the output current phase does not lead to oscillations. Thanks to the use of advanced control, it was possible to avoid unfavorable oscillation phenomena in the output current of the multi-level inverter.

Despite the strong distortion of the power grid voltage, which contains 5% of 5th harmonic and 3% of 7th harmonic, the current waveform  $i_{as}$  is close to sinusoidal with the content of higher harmonics below 1% (Table 1).

Table 1  
The content of higher harmonics

$P_s$ [kW]	$f_G$ Hz	Content of higher harmonics			
		THD_IG %	THD_US %	THD_If %	THD_Is %
5,0	25,22	1,38	5,83	2,88	0,13
10,0	45,46	0,64	5,83	2,55	0,05

In the presented waveforms, the correct operation of the proposed simplified modulators can be observed also in the case of a converter connected to the power grid (Fig. 19). Lack of asymmetry of the output voltages three-level inverter proves the proper operation of the balancing voltage in the DC voltage circuit.

Figure 20 shows the voltage and current waveforms after connecting the system to the power grid. In spite of the strongly deformed voltage waveform, the obtained current is close to sinusoidal.

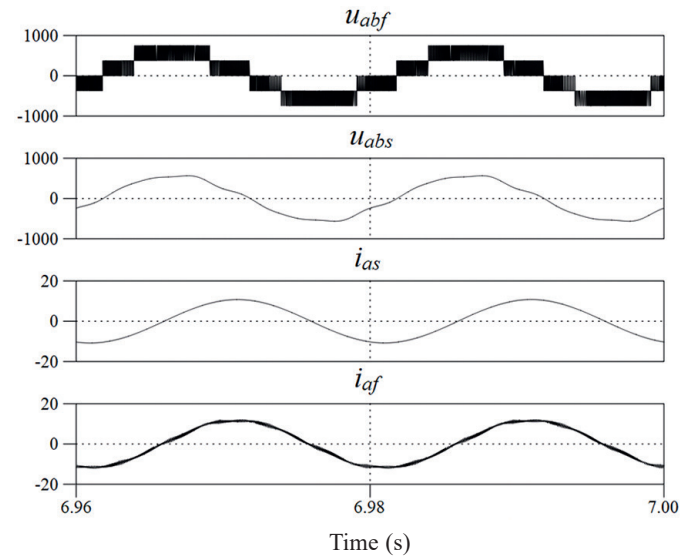


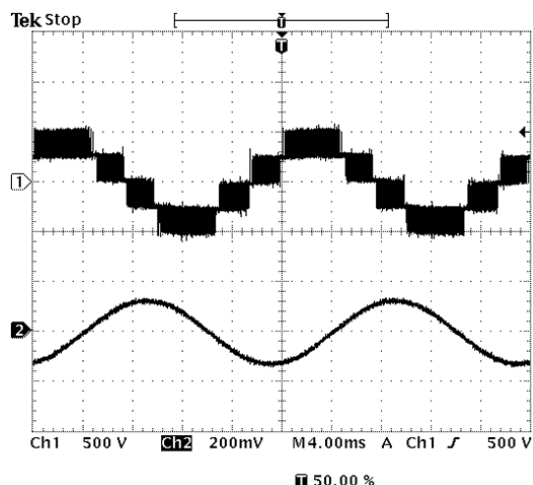
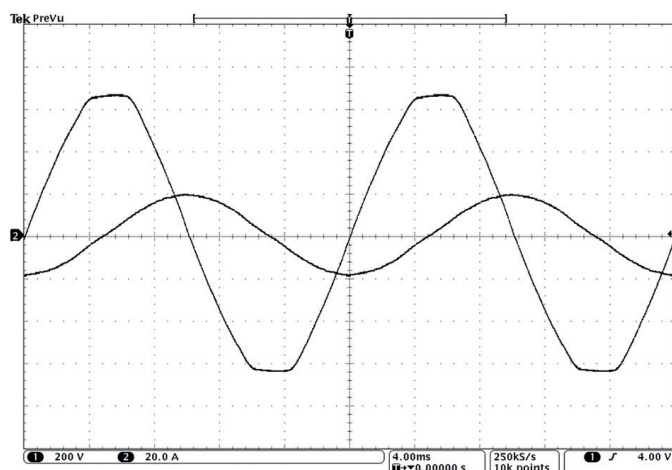
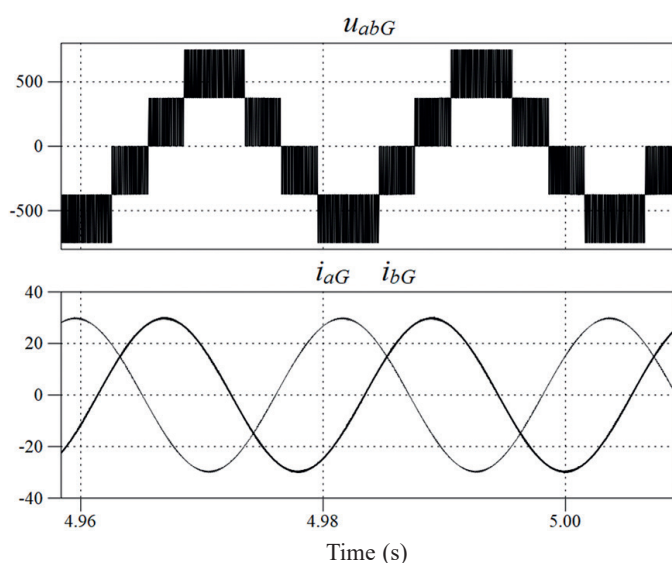
Fig. 20. Voltage waveforms  $u_{abf}$  and current  $i_{af}$  of the inverter,  $u_{abs}$  voltage and current  $i_{as}$  of the power grid in steady state

Based on the simulation tests performed, the correct operation of the small wind power plant system was observed. The power plant's control algorithm efficiently tracks the point of maximum power, both in the case of changes in wind force and changes in the angle of setting the wind turbine blades.

## 10. Conclusions

The article presents a complete control algorithm for the AC/DC/AC converter connecting the induction generator with the power grid. The application of the converter with the proposed control algorithm provided near-sinusoidal currents of the power grid. Thanks to the LCL filter coupling the system with the power grid and the predictive control, the content of higher harmonics in the output current below  $\sim 1\%$  was obtained, despite the assumption of high voltage distortion (Figs. 20–22).

The current distortion on the generator side is slightly higher (Fig. 23) and this is due to the lack of an additional coupling filter (Fig. 10). This lack is partially compensated by the relatively high inductance of the induction motor. The low content of higher harmonics of the current does not significantly affect the pulsation of the generator's load torque and increasing losses.

Fig. 21. Voltage  $u_{abf}$  and current  $i_{af}$  waveforms (experiment)Fig. 22. Voltage  $u_{as}$  and current  $i_{as}$  waveforms of the power grid for reactive power (experiment)Fig. 23. Voltage waveforms  $u_{abf}$  and current  $i_{af}$  of the inverter,  $u_{abs}$  voltage and current  $i_{as}$  of the power grid in steady state

Original simple algorithms of modulators do not require trigonometric functions or arrays for calculations. This reduced the time needed to calculate the switching times of inverter transistors. The use of full processing of the produced energy extends the use of an induction generator to a range of lower wind speeds.

The article proposes a modification of the maximum power point tracking method. It concerns the range of higher wind speeds, in which a change of the angle of the wind turbine blades setting is required. The modification was implemented by introducing the correction factor  $c_\beta$  to the dependence (3). This enabled the use of an induction generator with a maximum power factor  $C_p$  for wind speeds varying within wide limits.

The promising simulation results of the system encourage the continuation of the work. The next stage of the research is to be the practical implementation of the proposed small wind power plant. The high complexity of the control algorithm presented in the article, however, will require the use of a micro-processor controller. In connection with the above, simulation tests of the control system were carried out taking into account its use. All the required procedures were therefore written in the programming language C with a minimized number of instructions. This is to guarantee short control times in the real system.

## Appendix

### Induction motor (Generator)

BBC QV 160M4AA

$P_N = 11 \text{ kW}$ ,  $U_{IN} = 400 \text{ V(1-l)}$ ,  $I_{IN} = 22,5 \text{ A}$

$f_{IN} = 50 \text{ Hz}$ ,  $n_N = 1438 \text{ rpm}$ ,  $2p = 4$ ,  $\cos\varphi_N = 0,83$

### Parameters of motor:

$R_s = 0,3223 \ \Omega$ ,  $L_{\sigma s} = 1,99 \text{ mH}$

$R_r = 0,4762 \ \Omega$ ,  $L_{\sigma r} = 3,4 \text{ mH}$

$L_m = 69,69 \text{ mH}$ ,  $J = 0,194 \text{ kgm}^2$

### Parameters of LCL filter:

$R_f = 0,1 \ \Omega$ ,  $L_f = 2,0 \text{ mH}$

$R_s = 0,05 \ \Omega$ ,  $L_s = 1,0 \text{ mH}$

$C_f = 10,0 \ \mu\text{F}$

## REFERENCES

- [1] A. Sikorski and A. Kuźma, "Cooperation of induction squirrel-cage generator with grid connected AC/DC/AC converter", *Bull. Pol. Ac.: Tech.* 57 (4), 2009, 317–322.
- [2] A. Sikorski, M. Korzeniewski, and M. Malinowski, "AC/DC/AC converter in small hydropower station", *Przegląd Elektrotechniczny*, ISSN 0033–2097, R. 87 Nr 6/2011, 97–100, (in Polish).
- [3] B. Béchir, B. Faouzi, and M. Gasmı, "Wind energy conversion system with full-scale power converter and squirrel cage induction generator", *International Journal of Physical Sciences* 7(46), 9, 2012, 6093–6104.
- [4] R. Kot, M. Rolak, and M. Malinowski, "Comparison of maximum peak Power craking algorithms for a small wind turbine", *Mathematics and Computers in Simulation* (91), 2013, 29–40.

- [5] H. Serhoud and D. Benattous, "Maximal Wind Energy Tracing of Brushless Doubly-Fed Generator under Flux Oriented Vector Control", *International Journal of Renewable Energy Research* 2 (2), 2012, 243–249.
- [6] E. Koutroulis and K. Kalaitzakis, "Design of Maximum Power Tracking System for Wind-Energy-Conversion Applications", *IEEE Transactions on Industrial Electronics* 53 (2), 2006, 486–494.
- [7] D. Aouzellag, K. Ghedams, and E.M. Berkouk, "Power Control of a Variable Speed Wind Turbine Driving an DFIG", *Renewable Energies and Power Quality Journal* 1 (4), 2006, 31–35.
- [8] F.F.M. El-Sousy, M. Orabi, and H. Godah, "Maximum Power Point Tracking Control Scheme for Grid Connected Variable Speed Wind Driven Self-Excited Induction Generator", *Journal of Power Electronics* 6 (1), 2006, 52–66.
- [9] V. Agarwal, R.K. Aggarwal, P. Patidar, and C. Patki, "A Novel Scheme for Rapid Tracking of Maximum Power Point in Wind Energy Generation Systems", *IEEE Transactions on Energy Conversion*, Vol. 25 (1), 2010, 228–236.
- [10] R. Strzelecki, P. Szczepankowski, M. Parchomiuk, and M. Grabarek, "Two-way converter 4L-DC with active voltage control in intermediate circuit", *Przeegląd Elektrotechniczny*, R. 88 Nr 12a/2012, 12–17, (in Polish).
- [11] H. Akagi, Y. Kanazawa, and A. Nabae, "Generalized theory of the instantaneous reactive power in three-phase circuits", *Conf. Rec. IEEJ-IPEC*, (1983), 1375–1386.
- [12] D. Wojciechowski, "Control system for parallel active filter with coupling LCL circuit", *Przeegląd Elektrotechniczny*, R. 86, Nr 2, 2010, 65–70, (in Polish).
- [13] A. Kasprówicz, "Voltage and frequency stabilisation system of self-excited induction generator", *Przeegląd Elektrotechniczny*, R. 92 Nr 12/2016, 296–301, (in Polish).
- [14] Y.F. Wang and Y. W. Li, "Analysis and Digital Implementation of Cascaded Delayed-Signal-Cancellation PLL", *IEEE Transactions on Power Electronics* 26 (4), 2011, 1067–1080.
- [15] M. Bobrowska-Rafał, K. Rafał, M. Jasiński, and M.P. Kaźmierkowski, "Grid synchronization and symmetrical components extraction with PLL algorithm for grid connected power electronic converters – a review", *Bull. Pol. Ac.: Tech.* 59 (4), 2011, 485–497.
- [16] Y.F. Wang and Y. W. Li, "Three-Phase Cascaded Delayed Signal Cancellation PLL for Fast Selective Harmonic Detection", *IEEE Transactions on Industrial Electronics* 60 (4), 2013, 1452–1463.