

Review Papers

Review of Surface Acoustic Wave Sensors for the Detection and Identification of Toxic Environmental Gases/Vapours

Gowdhaman PANNEERSELVAM, Venkatesan THIRUMAL, Haresh M. PANDYA

Department of Physics
Chikkanna Government Arts College
Tirupur, Tamilnadu-641 602, India; e-mail: haresh.pandya@rediffmail.com

(received December 16, 2017; accepted April 20, 2018)

Detection and identification of toxic environmental gases have assumed paramount importance precisely in the defense, industrial and civilian security sector. Numerous methods have been developed for the sensing of toxic gases in the environment ever since surface acoustic wave (SAW) technology came into existence. Such SAW sensors called electronic nose (E-Nose) sensor use the frequency response of a delay line/resonator. SAW device is focused and given importance. The selective coating between input and output interdigital transducers (IDTs) in the SAW device is responsible for corresponding changes in operating frequency of the device for a specific gas/vapour absorbed from the environment. A suitable combination of well-designed SAW delay lines with selective coatings not only help to improve sensor sensitivity and selectivity but also leads to the minimization of false frequency alarms in the E-Nose sensor. This article presents a comprehensive review of design, development, simulation and modelling of a SAW sensor for potential sensing of toxic environmental gases.

Keywords: toxic gases; SAW sensors; E-Nose; gas sensors; selective coating.

1. Introduction

The concentration of chemical pollutants in the environment has increased tremendously due to various factors like rampant industrialization, sudden population growth, and gross mismanagement of natural resources (AFZAL *et al.*, 2013; JAKUBIK *et al.*, 2016; MSEDDI *et al.*, 2016; SINGH *et al.*, 2016; RAJ *et al.*, 2017). These chemical pollutants come in various forms such as toxic industrial chemicals (TICs), volatile organic compounds (VOCs), hazardous gases, chemical warfare agents, explosive vapours, environmental pollutants, etc. As such, there is an urgent need for the development of stable technologies for their timely detection and identification in the environment (MATATAGUI *et al.*, 2011b; RAJ *et al.*, 2013b; LUO *et al.*, 2013). Chemical warfare agents (CWAs) are weapons of mass destruction which can cause instant death or temporary incapacitation or permanent impairment in humans and other living organisms. A good chemical sensor needs to have many desirable traits like better selectivity, sensitivity, lower response time, fewer false alarm rates, low power consumption, reliability over distinct environmental conditions, swift

recovery time, portability and a simple user interface (HARMER, MARQUIS, 2004; HO *et al.*, 2005; RAJ *et al.*, 2010; AFZAL *et al.*, 2012; JAKUBIK *et al.*, 2016).

A lot of effort has been put by researchers around the globe for the development of reliable techniques for detection of such chemicals in the environment. Raman spectroscopy, Ion mobility spectroscopy, Flame photometry, Infra-red spectroscopy, Surface acoustic wave (SAW) technology, Calorimetric, Conductometric, Photo ionization and Flame ionization are some of the existing techniques for this purpose (WOHLTJEN, DESSY, 1979; CHANG, SHIH, 1998; MOORE 2004; SFEROPOULOS, 2009; SINGH *et al.*, 2016). Each method has its own advantage as well as a limitation of their hands-on application as a sensor. Among these techniques, SAW technology is one of the promising and efficient technologies for sensing of chemical agents at lower concentration levels (ppm and ppb). Precise detection of hazardous chemical compounds in gaseous and liquid environments is possible with the help of such SAW sensors. These sensors have the advantage of being compact sized, affordable, highly sensitive and being reliable (WOHLTJEN, DESSY, 1979; CHANG, SHIH, 1998; MOORE, 2004; SFEROPOULOS,

2009; JAKUBIK, 2011; RAJ *et al.*, 2013b; LUO *et al.*, 2013; SINGH *et al.*, 2016).

The adsorption and absorption of chemical agents by sensitive layer in a SAW sensor causes change in attenuation and phase velocity of acoustic waves propagating on the surface of the piezoelectric substrate which is then measured in terms of change in frequency (ABRAHAM, 1995; MATATAGUI *et al.*, 2009; RAJ *et al.*, 2010; RAJ *et al.*, 2012a). A suitable combination of piezoelectric substrate, interdigital transducers (IDTs), and selective coating is an essential requirement for efficient design and fabrication of SAW sensors (WILSON, ATKINSON, 2007a; KHANEJA, MITTAL, 2008; TIGLI, ZAGHLOUL, 2008; PANDYA, 2010; VENKATESAN, PANDYA, 2013; BANUPRIYA *et al.*, 2014; SHARMA *et al.*, 2014). The present paper aims to provide a comprehensive review and critical analysis of such SAW sensors.

2. SAW sensor devices

Research studies on SAW sensor devices reveals that the SAW technology has great potential for applications in high frequency electronic devices (from a few MHz to GHz) for data processing, telecommunication etc. (KNAUER *et al.*, 1997; DICKERT *et al.*, 1998; MORGAN, 1998; KUMAR *et al.*, 2004; SMITH, HINSON-SMITH, 2005; HAO *et al.*, 2010). In addition to this, SAW sensors are identified to be a promising candidate for gas sensing applications. A piezoelectric substrate, sensitive region and IDTs are the basic requirements for any SAW sensor (Fig. 1). Piezoelectric single crystal, ST-X Quartz (SiO_2) (MORGAN, 1998; HAO *et al.*, 2010), Lithium Tantalate (LiTaO_3), Lithium Niobate (LiNbO_3), Langasite ($\text{La}_3\text{Ga}_5\text{SiO}_{14}$), GaAs, ZnO films (TASALTIN *et al.*, 2012), and GaN films are some of the efficient substrates of interest due to their peculiar properties in different SAW sen-

sor applications. However, ST-X Quartz and LiNbO_3 are the most commonly used piezoelectric substrates preferred for chemical sensing because of their zero temperature coefficient of delay (TCD) and wide bandwidth (MATATAGUI *et al.*, 2009; 2011b; HAO *et al.*, 2010; JAKUBIK *et al.*, 2016).

IDTs are metal electrodes usually made up of aluminum (Al), gold (Au) or copper (Cu) placed on a piezoelectric substrate for the generation and detection of surface acoustic waves. Although gold has superior electrical properties, its acoustic losses are very high. Relatively aluminum serves as inert metal as well as good adhesive and it has low attenuation. Therefore, it is predominantly used as an electrode material (PLESKI, 2005). Different IDT structures have been studied by many researchers ever since a pair of two combs like metal thin films developed photolithographically by White and Voltmer in 1965 as an IDT has become so popular due to its fascinating properties. The geometry of IDTs might be either single or double or apodized depending upon the specific applications (PANDYA, 2010; BANUPRIYA *et al.*, 2014; SHARMA *et al.*, 2014). Any SAW sensor device is basically either a SAW delay line or resonator device and it is described below.

2.1. SAW delay line

A SAW delay line is one of the earliest devices consisting of an input IDT and output IDT placed on a piezoelectric substrate as presented in Fig. 1a. At the input IDT, the applied electric field produces mechanical waves (due to the inverse piezoelectric effect) which are transmitted towards the output IDT and converted back to electrical field (due to piezoelectric effect). The delay (τ) produced by the SAW sensor depends on the distance between the centres of input and output IDTs (L) and the SAW velocity for a par-

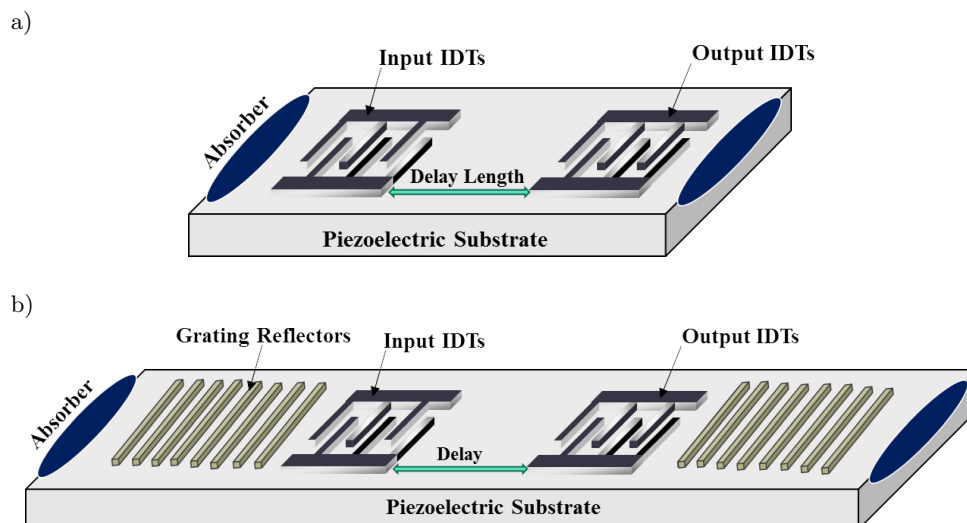


Fig. 1. Schematic design of SAW: a) delay line and b) resonator.

particular substrate (v_0) which is expressed as $\tau = L/v_0$ (VENKATESAN, PANDYA, 2013; PANDYA *et al.*, 2013; BANUPRIYA *et al.*, 2014; PRIYA *et al.*, 2016).

2.2. SAW resonator

The resonator is a device which oscillates at its resonant frequency with greater amplitude. SAW resonators have found applications in narrow band filters, highly selective band stop or band pass filters, and many other devices. SAW resonators have reflective gratings placed on both sides of IDT in the form of an array with spacing $\lambda/2$. Figure 1b shows the typical design of a two port SAW resonator. The reflected surface acoustic waves from the gratings give rise to a standing wave pattern which forms a resonant cavity around the IDTs. This helps to obtain resonators with moderately high quality factor (KHANEJA, MITTAL, 2008; NIMAL *et al.*, 2009; VENKATESAN, PANDYA, 2013; PANDYA *et al.*, 2013; BANUPRIYA *et al.*, 2014).

The SAW delay line and resonators are promising devices for chemical sensing applications due to the ease of fabrication, relatively large sensitive area and reliability over other devices. The absorbers made of thin silicon film are placed on both the ends of the substrate to ensure the unidirectional flow of acoustic waves which helps to overcome the loss due to interference (PANDYA, 2010; AFZAL *et al.*, 2013; PRIYA *et al.*, 2016).

3. Simulation and modelling of SAW sensors

The performance of a SAW sensor primarily depends on the operating frequency and sensitive layer in the active region of the sensor. Therefore, parameters such as number of IDT finger pairs, finger width, acoustic aperture, transducer periodicity, electromechanical coupling coefficient, substrate velocity, operating frequency, and IDT geometry have to be taken into consideration before the fabrication of a SAW sensor (AFZAL *et al.*, 2013; BANUPRIYA *et al.*, 2014; SHARMA *et al.*, 2014; PRIYA *et al.*, 2016). The pre-fabrication modelling and simulation of SAW sensors using standard models is helpful to optimize these parameters for real time analysis. Different models have been developed for this purpose. Delta function model, impulse response model (PANDYA *et al.*,

2013; PRIYA *et al.*, 2016), coupling of modes model (KHANEJA, MITTAL, 2008; SHARMA *et al.*, 2014), crossed-field equivalent circuit model and transmission matrix model are some of the models which are analyzed by many researchers (PANDYA 2010; SHARMA *et al.*, 2014; PRIYA *et al.*, 2016). Finite element analysis performed on either COMSOL Multiphysics or ANSYS platform has been found to be a useful method for three dimensional analysis of SAW sensors (EL GOWINI, MOUSSA, 2010).

A complete model which gives combined physical and chemical response of a sensor has yet to be developed, but still significant contributions from modelling helps to improve the performance of SAW sensors.

4. SAW sensor fabrication process

This section briefly describes the fabrication process of SAW sensors reported in various literature and it is similar to that used for integrated chips (Fig. 2). The thermal evaporation technique is commonly employed for metallization of aluminum or copper layer (~ 200 nm) on a specified piezoelectric substrate. The IDT pattern is designed using AutoCAD by the conversion of design data into a standard format for mask pattern generation followed by the photo resistive coating. Figure 3 shows a typical AutoCAD design of

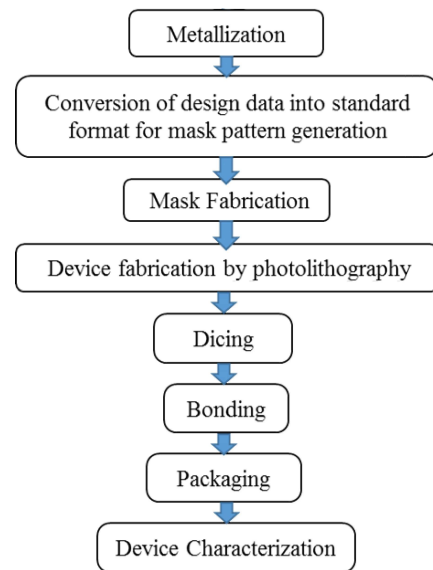


Fig. 2. Steps involved in the fabrication of a SAW sensor.

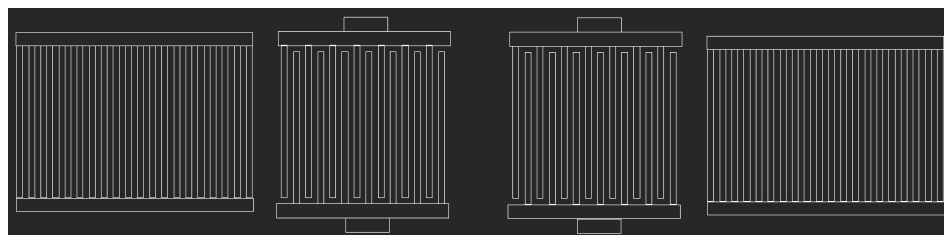


Fig. 3. Typical AutoCAD design of a two port SAW resonator.

SAW sensor. Ultrafine pattern processing of IDT has been performed using the photolithographic technique. These SAW sensors are fabricated in a clean room having less than 100 particles per cubic meter. Subsequent etching, dicing, bonding and packing have to be done before testing of a SAW sensor using a vector network analyser (KNAUER *et al.*, 1997; KHANEJA, MITTAL, 2008; SFEROPOULOS, 2009; PANDYA, 2010).

5. SAW chemical sensing process

A SAW chemical sensor is based on a SAW delay line or resonator device connected in the feedback loop of a high frequency amplifier along with a phase compensation network resulting in a SAW oscillator configuration. Figure 4 and 5 show a typical design of the SAW chemical sensor. The target chemical vapour/gas along with carrier gas passes through the sensitive region between a pair of IDTs. Change in frequency can be observed due to the absorption of analyte by the sensing layer of the SAW sensor. SAW devices having a higher operating frequency will have greater sensitivity to target gas, whereas change in frequency depends on the concentration of analyte to be tested (DICKERT *et al.*, 1998; MORGAN, 1998; KUMAR *et al.*, 2004; WILSON, ATKINSON, 2007b; RODRÍGUEZ-MADRID *et al.*, 2013; MATATAGUI *et al.*, 2015; RAJ *et al.*, 2015a).

The sensing response of the SAW chemical sensor is influenced by various parameters including pressure, temperature, electrical conductivity (HARMER, MARQUIS, 2004; MOORE, 2004; HO *et al.*, 2005; JAKUBIK, 2011), humidity (MITTAL *et al.*, 2015), electric loading, mass loading, elastic loading (RAJ *et al.*, 2012a; JAKUBIK *et al.*, 2016) etc., depending upon the nature of sensing layer. The frequency shift is either positive or negative depending upon the sensing analyte. Initially, target vapour molecules are trapped by pores or grain boundaries of the sensing layer which leads to the negative frequency shift ($-\Delta f$) due to elastic loading. Subsequently, the vapour molecule gets adsorbed on the sensitive layer and causes a positive frequency shift ($+\Delta f$) due to the mass loading effect as reported by (RAJ *et al.*, 2012a; 2012b; 2013a; 2017). Frequency shift can be positive or negative due to mass loading and elastic loading, and it depends on the analyte. The mass loading (Δm) can be calculated using a relation comprising of the volume of the sensitive material (V_f), solution concentration of the sensitive material (C_s), partition coefficient ($k = C_s/C_v$), vapour concentration (C_v) and it is given by (MATATAGUI *et al.*, 2009; 2011b)

$$\Delta m = C_s V_f = k C_v V_f.$$

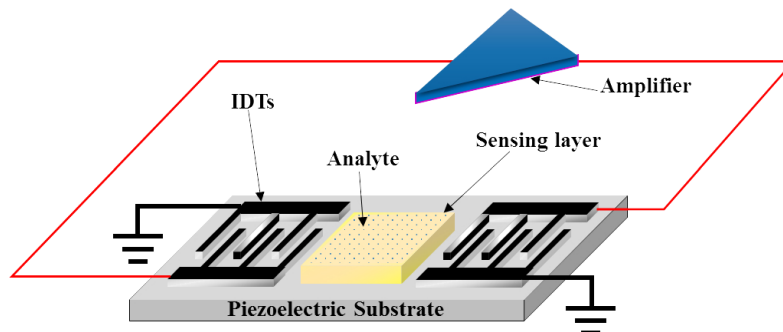


Fig. 4. A typical SAW chemical sensor.

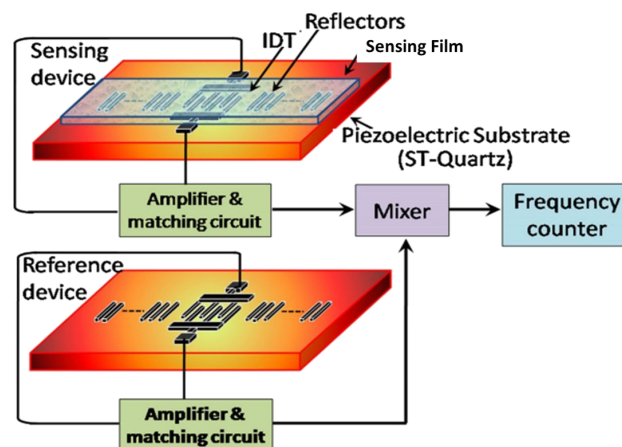


Fig. 5. A schematic of a resonator based SAW sensor in oscillator configuration (RAJ *et al.*, 2015a).

The frequency shift (Δf) of a SAW oscillator due to mass loading can be obtained using the relation (MATATAGUI *et al.*, 2009; 2011b)

$$\Delta f = (k_1 + k_2)f_0^2(\Delta m/A) = (k_1 + k_2)f_0hkC_v,$$

where, k_1 and k_2 are constants of the piezoelectric substrate, h , f_0 and A are the coated film thickness, unper-

turbed resonant frequency of the SAW oscillator and the area of the sensing film, respectively. The sensing layer plays a pivotal role in sensing properties of a SAW sensor and therefore, a study of selective coating materials and their properties is of paramount interest for many researchers (MATATAGUI *et al.*, 2011b; RAJ *et al.*, 2013a; 2013b; 2015a; 2017; JAKUBIK *et al.*, 2016).

Table 1. Brief review of polymers used as a selective coating in SAW sensors.

Sensitive coatings	Piezoelectric substrate	Operating frequency [MHz]	Analyte	Analyte concentration	Author (Ref.)
Polymer (SXFA)	ST-X Quartz	433.9	Methanol, benzene, diesel, DMMP	1000–4000 ppm 400–1600 ppm 12–48 ppm 1–0 ppm	SINGH <i>et al.</i> (2016)
Polymers (PIB, PECH, PVA, PMA, carbowax etc.)	ST-X Quartz	300	VOCs (ethanol, acetaldehyde, acetone, chloroform etc.)	ppb–ppm	VERMA, YADAVA (2015)
Polymer	ST-X Quartz	–	VOCs, Nerve agent simulant, explosive vapor, etc.	–	JHA <i>et al.</i> (2014)
Polymer	ST-X Quartz	163	Nerve agent simulant (DMMP)	0.04–1 ppm 0.25–10 ppm	MATATAGUI <i>et al.</i> (2012)
Polymers (PECH, PIB, PEM, carbowax etc.)	ST-X Quartz	157	Nerve agent simulant (DMMP, DCE), VOCs (Toulene)	Sub ppm	MATATAGUI <i>et al.</i> (2011a)
Polymers (P4VP, PEG, PS, PSMC etc.)	128° YX LiNbO ₃	100	VOCs (methanol, ethanol, acetone, amine and trimethylamine)	–	HAO <i>et al.</i> (2010)
Polymers (PIB, PDMS, PECH, SXCN, PEI etc.)	ST-X Quartz	200	VOCs (Toluene), Nerve agent simulant (DMMP), Explosives (DNT, TNT), TICs (Benzene)	–	JHA, YADAVA (2010)
Polymer	LiNbO ₃	70.3	VOCs (methanol, ethanol)	300 ppm	BALCERZAK <i>et al.</i> (2010)
Polymers (bisphenol, carbowax, polysiloxane, fluoropolyol)	Quartz, LiNbO ₃ , ZnO/glass	36–434	Nerve agent and its simulant (DMMP, Sarin), Explosives (DNT)	1 ppm, 0.4 ppm, 0.1 ppm	NIMAL <i>et al.</i> (2009)
Polymers	ST-X Quartz	–	VOCs (Toulene)	540 ppm	MATATAGUI <i>et al.</i> (2009)
Polymers (SXFA, OV ₂₅ , PECH)	ST-X Quartz	100	Nerve agent simulant	0.05–0.4 ppm 0.1–0.8 ppm	ALIZADEH, ZEYNALI (2008)
Polymer	ST-X Quartz	434	DMMP	5–40 ppm	DU <i>et al.</i> (2008)
Polymers (PIB, PECH, PDMS, PBD, PIP etc.)	ST-X Quartz	39.6–264	Nerve agent simulant	5 ppm	JOO <i>et al.</i> (2007)
Polymer (Bisphenol)	ST-X Quartz	433.92	DMMP	0.5 ppm, 0.1 ppm	NIMAL <i>et al.</i> (2006)

Table 2. Metal oxides as a selective coating in SAW sensors.

Sensitive coatings	Piezoelectric substrate	Operating frequency [MHz]	Analyte	Analyte concentration	Author (Ref.)
Metal oxide (ZnO)	ST-X Quartz	433	Ammonia	25–590 ppm	RAJ <i>et al.</i> (2017)
Metal oxides (ZnO and TiO ₂)	ST-X Quartz	175	TICs, VOCs (Toulene, Xylene)	10 ppm, 5 ppm, 10 ppm	MATATAGUI <i>et al.</i> (2015)
Metal oxide (SnO ₂)	ST-X Quartz	433.9	NO ₂ gas	20 ppm	RAJ <i>et al.</i> (2015a)
Metal oxide (ZnO)	ST-X Quartz	433.9	Nerve agent simulant	5–1600 ppm	RAJ <i>et al.</i> (2015b)
Metal oxides (ZnO, TeO ₂ , SnO ₂ , and TiO ₂)	ST-X Quartz	433.9	DMMP and methanol	100–500 ppb 0.5–5 ppm	SINGH <i>et al.</i> (2014)
Metal oxides (ZnO, TeO ₂ , SnO ₂ , and TiO ₂)	ST-X Quartz	433.9	Chemical Warfare Agents (DMMP, DBS, CEPS, and DECP)	Sub ppm level	RAJ <i>et al.</i> (2013b)
Metal oxide (ZnO)	ST-X Quartz	433	VOCs (acetone, trichloroethylene, chloroform, ethanol, n-propanol and methanol)	100–5000 ppm	TASALTIN <i>et al.</i> (2012)

5.1. Vapour recognition materials

The sensitive layer is an integral part of a SAW chemical sensor. Interaction of target gas molecules on the sensitive layer greatly enhances the sensing property of SAW chemical sensors (MATATAGUI *et al.*, 2009; JAKUBIK *et al.*, 2016). Therefore, the sensitive layer should have greater sensitivity, selectivity, short recovery time and long term stability. The surface morphology, structural, electrical and elastic properties strongly influence the sensing properties of the sensitive layer. As a result the physical parameters such as surface roughness, crystallite size, film thickness, resistivity etc., need to be optimized in order to improve the interaction of target gas molecules (HAO *et al.*, 2010; RAJ, 2012; RAJ *et al.*, 2015a). AFZAL *et al.* (2013) has reported that metal oxides, carbon nanotubes, supramolecular structures, molecularly imprinted polymers, self-assembled monolayers and a variety of other polymers have been used as sensitive layer for identification and detection of chemical vapours. Polymers (HAO *et al.*, 2010; AFZAL *et al.*, 2013; SINGH *et al.*, 2016), metal oxides (RAJ, 2012; RAJ *et al.*, 2013a; 2015a; AFZAL *et al.*, 2013; SINGH *et al.*, 2014) and their nanostructures have been widely used for these purposes because of their improved performance over other materials and some of them are depicted in Tables 1 and 2.

5.1.1. Sensitive coating polymers

Polymers have been extensively used as sensitive coatings for SAW chemical sensors over the past few decades due to their short response time, high sensitiv-

ity and room temperature operation. For coating polymers as sensitive layers methods like spin coating, solvent casting, dip coating, drop dry method and spray coating method have been used by many researchers (ALIZADEH, ZEYNALI, 2008; DU *et al.*, 2008; NIMAL *et al.*, 2009; SINGH *et al.*, 2016). In drop dry method, the quantity of polymer loaded on the sensitive region could be known exactly and therefore it is found to be a simpler and efficient method (NIMAL *et al.*, 2009; SINGH *et al.*, 2016). A different class of polymers has been used depending upon their affinity towards the specific analyte to be detected (Table 1). NIMAL *et al.* (2009) have developed fluorepolyol and polysiloxane polymer coated handheld SAW resonator and dispersive delay line based devices for the detection of CWAs and explosives, respectively. And they have reported that the developed sensor shows reproducible results for more than three years. One of the major drawbacks of using polymer sensitive layer is that their stability and repeatability changes over a long time in different environmental conditions (NIMAL *et al.*, 2009). At higher temperatures, the polymer films are more flexible. Consequently the device may misbehave. Therefore metal oxides as sensitive layer are good alternative to overcome these difficulties and for the sustainable development of SAW sensors.

5.1.2. Metal oxide sensitive coatings

Semiconducting metal oxides and their nanostructures have been recently emerging as efficient sensing materials for chemical vapour/gas sensors (BARSAN *et al.*, 2007; WETCHAKUN *et al.*, 2011; AFZAL *et al.*, 2012; 2013; RAJ *et al.*, 2013b; ISLAM *et al.*, 2015).

Metal oxides like ZnO, WO₃, SnO₂, CuO, CeO₂ etc., have been widely explored for these purposes (RAJ *et al.*, 2013a; 2015a; 2017; AFZAL *et al.*, 2013; SINGH *et al.*, 2014; MSEDDEI *et al.*, 2016). The methods such as ion beam assisted reactive deposition, molecular beam epitaxy, pulsed laser deposition, chemical vapour deposition, electron cyclotron resonance, RF or DC magnetron sputtering, sol-gel, atomic layer deposition, electron spray technique etc., were utilized to deposit high quality metal oxide thin films. Over other methods, RF sputtering has been identified to be a promising method for metal oxide coating of SAW sensors (RAJ *et al.*, 2013a; 2015a; 2017; AFZAL *et al.*, 2013; MSEDDEI *et al.*, 2016). Among different metal oxide materials, tin oxide (SnO₂) and zinc oxide (ZnO) are extensively studied for SAW based gas sensors. Further, ZnO is a well-known piezoelectric material in that it does not degrade the SAW propagation characteristics and hence, it is effectively utilized for the detection of target gas molecules (RAJ *et al.*, 2017). Binary mixture of DMMP and methanol have been recognized at ppb and ppm levels, respectively, by using an array of metal oxide sensitive layers (ZnO, TeO₂, SnO₂ and TiO₂) as reported by SINGH *et al.* (2014). HARIDAS *et al.* (2010) have developed an array of sensor using SnO₂ thin films loaded with nano clusters of different catalysts like platinum, palladium, silver and copper oxide for the detection and identification of LPG, methane, ammonia, and H₂S from a mixture of gases.

6. Pattern recognition and SAW E-Nose sensor

The arrangement of selectively tuned hardware (sensor) and software trained to identify gases or odours as a function that can simulate a mammalian nose is called an Electronic Nose or E-Nose. For Sensing of different gases in a mixture, one will need highly selective sensors. Even if this is achieved, the number of sensors will be equal to the number of target gases, which is a difficult task (HARIDAS *et al.*, 2010; RAJ *et al.*, 2015a). A single sensor operating at different temperatures or an array of four or five sensors composed of selectively tuned sensitive layers preferably polymers (ALIZADEH, ZEYNALI, 2008; SINGH *et al.*, 2016) or metal oxides (HAO *et al.*, 2010) would be helpful for these purposes. As the number of response signals from the sensor increases, there is a critical need for the development of a software based pattern recognition tool such as principal component analysis (PCA), artificial neural networks (ANN) and partial least square analysis (PLS) to analyze complex data (SINGH *et al.*, 2014; 2016). Recently, HARPREET (SINGH *et al.*, 2014; 2016) have utilized PCA and ANN for the development of SAW mono polymer and an array of metal oxide based sensors. They have reported that PCA has redundancy over temperatures and sens-

ing layer of sensor. They have successfully implemented ANN pattern recognition for the recognition of DMMP, methanol and some other chemical compounds.

6.1. Chemical vapour generation and delivery system in SAW sensors

SAW E-Nose sensors are needed to be optimized with combination of different chemical vapours/gases for field applications. Therefore, generation and delivery of vapours of different compounds at various temperature are of paramount interest to many researchers (KANNAN *et al.*, 2004; RAJ *et al.*, 2010; 2013b; SINGH *et al.*, 2014; 2016). Figure 6 presents a schematic diagram of vapour generation and delivery system. It consists of flasks (F1 and F2) wound with heater wire for the generation of vapour from liquids whose concentration can be altered using fine flow controllers (M1–M5) with the help of carrier gas (N₂). PID controllers are used for controlling the temperature on the flask. Solenoid valves (S1 and S2) are used for rapid switching between carrier and target gas.

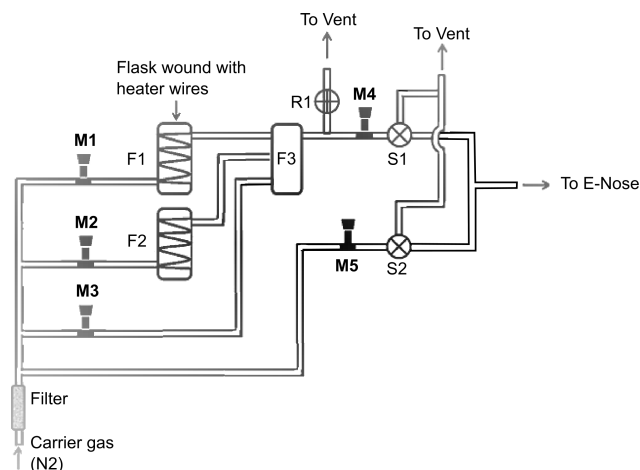


Fig. 6. Schematic diagram of sample vapour generation and delivery system (SINGH *et al.*, 2014).

The concentration of a chemical compound could be calculated using weight loss method by evaluating their evaporation rate over different time (NIMAL *et al.*, 2006; RAJ *et al.*, 2010; 2013a, 2015a; RAJ *et al.*, 2013; SINGH *et al.*, 2016). Supply of carrier gas (N₂) through S2 helps desorption of target gas molecules absorbed/adsorbed on the sensor surface.

7. Current issues and future development of SAW sensors

Environmental monitoring of hazardous air pollutants such as carbon monoxide, sulfur dioxide, nitrogen dioxide, VOCs, and CWAs is very much essential to form a toxin free environment. Thus, there exists an ever increasing demand for the development of smart

sensor technology for the timely detection of these compounds (HARMER, MARQUIS, 2004; HO *et al.*, 2005; JOO *et al.*, 2007; HAO *et al.*, 2010; MATATAGUI *et al.*, 2011b). SAW sensors are aptly suitable for these applications because of their high sensitivity, portability, low cost, quick response, recovery time etc. Globally, SAW delay line and resonator devices are widely exploited as chemical sensors and it has been widely investigated using traditional piezoelectric materials like LiNbO₃ and Quartz as piezoelectric substrates (HARMER, MARQUIS, 2004; SMITH, HINSON-SMITH, 2005; NIMAL *et al.*, 2009; BANUPRIYA *et al.*, 2014).

The working principle of SAW sensor is based on the velocity change measured in terms of frequency and time delay. Hence, the high frequency [MHz] and ultra-high frequency [GHz] SAW devices are mainly of interest. The effective use of piezoelectric materials like ZnO and AlN, helps in the development of ultra-high frequency SAW devices (KNAUER *et al.*, 1997; DICKERT *et al.*, 1998; RAJ *et al.*, 2010). Optimizing the sensing layer is another important aspect for the enhancement of sensing properties. Nanostructured metal oxides have been investigated recently by many researchers for this purpose. The presence of nano pores and discrete energy levels would be helpful to improve the sensitivity by means of mass loading effect in SAW sensors.

Although significant efforts have been made in the development of unique sensing layers, sensing of discrete analyte is still very challenging. Since an array of sensors is used here, pattern recognition tools such as ANN and PCA can be used for recognition but still the presence of unknown compound which is not preloaded into SAW E-nose library cannot be easily recognized. Further, SAW sensors are not compatible with CMOS technology, which constrains their use in the integration of a signal processing circuit (MATATAGUI *et al.*, 2011b). In addition to this, as the sensitivity gets increased to sub ppm levels, the selectivity and accuracy become complex under various environmental parameters such as humidity (LI *et al.*, 2015; MITTAL *et al.*, 2015), temperature (LI *et al.*, 2015), etc. Therefore the possibility of false frequency alarms increases, which eventually decreases sensor performance (MORGAN, 1998; MCGILL *et al.*, 2000; DEWAN *et al.*, 2008; ROCK *et al.*, 2008; SFEROPOULOS, 2009; LIM *et al.*, 2011; MATATAGUI *et al.*, 2011b). Hence, there is always need for the development of compatible handheld SAW sensors for careful monitoring of environmental threats. Intensive research on nanostructured properties of existing sensitive layer materials or the invention of novel materials with better structure, morphological properties and greater stability over time and temperature might be the need of the hour in such cases.

Nowadays, SAW sensors are extensively used as electronic filters in many electronic devices such as mobile phones, television, RFIDs and much more. They

are also widely used in industrial and military applications as well. Such SAW sensors can tolerate wide temperature ranges and can perform well under high radiation environments too. Moreover, as these sensors are capable of operating passively without active electronic circuits, they can be employed for wireless detection of threats under harsh environments (RAJ *et al.*, 2017; DEVKOTA *et al.*, 2017; FU *et al.*, 2017).

8. Concluding remarks

SAW chemical sensors are effectively utilized for the detection of chemical threats in the environment. This paper presented an overview of the design, development, simulation and modelling of a SAW device and the modifications required in them for their effective use and understanding.

Polymers, metal oxides and their nanostructures are widely used as sensing layer for enhancement of sensing property up to sub ppm level. An array of sensors and pattern recognition tools (PCA and ANN) is widely useful for enhanced sensitivity and selectivity of SAW E-Nose sensors. Chemical vapour generation and deliver systems find their significance for laboratory testing of SAW chemical sensors. The paper also highlights the various challenges and their possible solutions faced in the design and development of SAW sensor systems. The authors strongly opine that integration of chemical and biological sensors into a single handheld device might be an important step in the future development of SAW sensors in terms of environmental monitoring.

Acknowledgments

The authors would like to thank Dr. Manoj U. Sharma and Dr. A.T Nimal, Scientists, SSPL- DRDO, New Delhi, India for their support and guidance.

References

1. AFZAL A., CIOFFI N., SABBATINI L., TORSI L. (2012), *NO_x sensors based on semiconducting metal oxide nanostructures: progress and perspectives*, Sensors and Actuators B: Chemical, **171–172**, 25–42.
2. AFZAL A., IQBAL N., MUJAHID A., SCHIRHAGL R. (2013), *Advanced vapor recognition materials for selective and fast responsive surface acoustic wave sensors: a review*, Analytica Chimica Acta, **787**, 36–49.
3. ALIZADEH T., ZEYNALI S. (2008), *Electronic nose based on the polymer coated SAW sensors array for the warfare agent simulants classification*, Sensors and Actuators B: Chemical, **129**, 412–423.
4. BALCERZAK A., ALEKSIEJUK M., ZHAVNERKO G., AGABEKOV V. (2010), *Sensing properties of two-component Langmuir-Blodgett layer and its porous*

- derivative in SAW sensor for vapors of methanol and ethanol, *Thin Solid Films*, **518**, 12, 3402–3406.
5. BANUPRIYA R., VENKATESAN T., PANDIYARAJAN G., PANDYA H.M. (2014), *SAW devices – a comprehensive review*, *Journal of Environmental Nanotechnology*, **3**, 106–115, doi: 10.13074/jent.2014.09.143101.
 6. BARSAN N., KOZIEJ D., WEIMAR U. (2007), *Metal oxide-based gas sensor research: How to?*, *Sensors and Actuators B: Chemical*, **121**, 18–35.
 7. CHANG P., SHIH J.S. (1998), *Preparation and application of cryptand-coated piezoelectric crystal gas-chromatographic detector*, *Analytica Chimica Acta*, **360**, 1–3, 61–68.
 8. DEVKOTA J., OHODNICKI P., GREVE D.W. (2017), *SAW Sensors for Chemical Vapors and Gases*, *Sensors*, **17**, 4, 01.
 9. DEWAN N., HARIDAS D., SHANDILYA S., SREENIVAS K., GUPTA V. (2008), *Influence of temperature stability on sensing properties of SAW NO_x sensor*, *Indian Journal of Engineering & Materials Sciences*, **15**, 352–354.
 10. DICKERT F.L., FORTH P., BULST W-E., FISCHER-AUER G., KNAUER U. (1998), *SAW devices-sensitivity enhancement in going from 80 MHz to 1 GHz*, *Sensors and Actuators B: Chemical*, **46**, 2, 120–125.
 11. DU X., YING Z., JIANG Y., LIU Z., YANG T., XIE G. (2008), *Synthesis and evaluation of a new polysiloxane as SAW sensor coatings for DMMP detection*, *Sensors and Actuators B: Chemical*, **134**, 2, 409–413.
 12. EL GOWINI M.M., MOUSSA W.A. (2010), *A finite element model of a MEMS-based surface acoustic wave hydrogen sensor*, *Sensors*, **10**, 2, 1232–50.
 13. FU C. et al. (2017), *Design and Implementation of 2.45 GHz Passive SAW Temperature Sensors with BPSK Coded RFID Configuration*, *Sensors*, **17**, 8, 1849.
 14. GRATE J.W., PATRASH S.J., ABRAHAM M.H. (1995), *Method for estimating polymer-coated acoustic wave vapor sensor responses*, *Analytical Chemistry*, **67**, 13, 2162–2169, doi: 10.1021/ac00109a040.
 15. HAO H.C. et al. (2010), *Development of a portable electronic nose based on chemical surface acoustic wave array with multiplexed oscillator and readout electronics*, *Sensors and Actuators B: Chemical*, **146**, 2, 545–553.
 16. HARIDAS D., CHOWDHURI A., SREENIVAS K., GUPTA V. (2010), *Fabrication of SnO₂ thin film based electronic nose for industrial environment*, [in:] 2010 IEEE Sensors Applications Symposium (SAS), pp. 212–215.
 17. HARMER G.P., YANG C., MARQUIS B.T. (2004), *Detection of chemical warfare agents in the presence of interferents*, *Proceedings of IEEE Sensors 2004*, Vol. 3, pp. 1506–1509, doi: 10.1109/ICSENS.2004.1426474.
 18. HO C.K., ROBINSON A., MILLER D.R., DAVIS M.J. (2005), *Overview of sensors and needs for environmental monitoring*, *Sensors (Basel)*, **5**, 2, 4–37.
 19. ISLAM T., NIMAL A.T., MITTAL U., SHARMA M.U. (2015), *A micro interdigitated thin film metal oxide capacitive sensor for measuring moisture in the range of 175–625 ppm*, *Sensors and Actuators B: Chemical*, **221**, 357–364.
 20. JAKUBIK W.P. (2011), *Surface acoustic wave-based gas sensors*, *Thin Solid Films*, **520**, 3, 986–993.
 21. JAKUBIK W., POWROZNIK P., WROTONIAK J., KRZYWIECKI M. (2016), *Theoretical analysis of acoustoelectrical sensitivity in SAW gas sensors with single and bi-layer structures*, *Sensors and Actuators B: Chemical*, **236**, 1069–1074.
 22. JHA S., YADAVA R. (2010), *Development of surface acoustic wave electronic nose*, *Defence Science Journal*, **60**, 4, 364–376.
 23. JHA S.K., HAYASHI K., YADAVA R.D.S. (2014), *Neural, fuzzy and neuro-fuzzy approach for concentration estimation of volatile organic compounds by surface acoustic wave sensor array*, *Measurement*, **55**, 186–195.
 24. JOO B.S., HUH J.S., LEE D.D. (2007), *Fabrication of polymer SAW sensor array to classify chemical warfare agents*, *Sensors and Actuators B: Chemical*, **121**, 1, 47–53.
 25. KANNAN G.K., NIMAL A.T., MITTAL U., YADAVA R.D.S., KAPOOR J.C. (2004), *Adsorption studies of carbowax coated surface acoustic wave (SAW) sensor for 2,4-dinitro toluene (DNT) vapour detection*, *Sensors and Actuators B: Chemical*, **101**, 3, 328–334.
 26. KHANEJA M., MITTAL U. (2008), *Design and modelling of a two-port surface acoustic wave resonator using coupling-of-modes theory*, *Defence Science Journal*, **58**, 3, 372–376.
 27. KNAUER U., MACHUI J., RUPPEL C.C.W. (1997), *Design, fabrication, and application of GHz SAW devices*, 1997 IEEE MTT-S International Microwave Symposium Digest, Vol. 3, Denver, Co, USA, pp. 1821–1824, doi: 10.1109/MWSYM.1997.596915.
 28. KUMAR A.K.S. et al. (2004), *High-frequency surface acoustic wave device based on thin-film piezoelectric interdigital transducers*, *Applied Physics Letters*, **85**, 10, 1757–1759.
 29. LI B., YASSINE O., KOSEL J. (2015), *A surface acoustic wave passive and wireless sensor for magnetic fields, temperature, and humidity*, *IEEE Sensor Journal*, **15**, 1, 453–462.
 30. LIM C., WANG W., YANG S., LEE K. (2011), *Development of SAW-based multi-gas sensor for simultaneous detection of CO₂ and NO₂*, *Sensors and Actuators B: Chemical*, **154**, 9–16.
 31. LUO W., FU Q., ZHOU D., DENG J., LIU H., YAN G. (2013), *A surface acoustic wave H₂S gas sensor employing nanocrystalline SnO₂ thin film*, *Sensors and Actuators B: Chemical*, **176**, 746–752.
 32. MATATAGUI D. et al. (2009), *Optimized design of a SAW sensor array for chemical warfare agents simulants detection*, *Procedia Chemistry*, **1**, 1, 232–235.
 33. MATATAGUI D. et al. (2011a), *Discrimination and classification of chemical warfare agent simulants using a Love-wave sensor array*, *Procedia Engineering*, **25**, 23–26.

34. MATATAGUI D. *et al.* (2011b), *Chemical warfare agents simulants detection with an optimized SAW sensor array*, *Sensors and Actuators B: Chemical*, **154**, 2, 199–205.
35. MATATAGUI D. *et al.* (2012), *Comparative evaluation between two acoustic immunosensors: Love-wave and QCM, and systems of measurement: dynamic and static*, *Procedia Engineering*, **47**, 174–177.
36. MATATAGUI D., KOLOKOLTSEV O.V., QURESHI N., MEJÍA-URIARTEA E.V., SANIGERB J.M. (2015), *A novel ultra-high frequency humidity sensor based on a magnetostatic spin wave oscillator*, *Sensors and Actuators B: Chemical*, **210**, 297–301.
37. MCGILL R.A. *et al.* (2000), *“NRL-SAWRHINO”: A nose for toxic gases*, *Sensors and Actuators B: Chemical*, **65**, 1–3, 10–13.
38. MITTAL U., ISLAM T., NIMAL A.T., SHARMA M.U. (2015), *A novel sol-gel γ -Al₂O₃ thin-film-based rapid SAW humidity sensor*, *IEEE Transactions on Electron Devices*, **62**, 12, 4242–4250.
39. MOORE D.S. (2004), *Instrumentation for trace detection of high explosives*, *Review of Scientific Instruments*, **75**, 8, 2499–2512.
40. MORGAN D.P. (1998), *History of SAW devices*, *Proceedings of the 1998 IEEE International Frequency Control Symposium (Cat. No. 98CH36165)*, Pasadena, CA, pp. 439–460.
41. MSEDDE S., TEKELI F., NJEH A., DONNER W., BEN GHOZLEN M.H. (2016), *Effect of initial stress on the propagation behavior of SAW in a layered piezoelectric structure of ZnO/Al₂O₃*, *Mechanics Research Communications*, **76**, 24–31.
42. NIMAL A.T. *et al.* (2009), *Development of handheld SAW vapor sensors for explosives and CW agents*, *Sensors and Actuators B: Chemical*, **135**, 2, 399–410.
43. NIMAL A.T., SINGH M., MITTAL U., YADAVA R.D.S. (2006), *A comparative analysis of one-port Colpitt and two-port Pierce SAW oscillators for DMMP vapor sensing*, *Sensors and Actuators B: Chemical*, **114**, 1, 316–325.
44. PANDYA M.H. (2010), *Design and Modelling of Surface Acoustic Wave (SAW) Devices and Sensors*, Bharathiar University.
45. PANDYA H.M., SHARMA M.U., NIMAL A.T., RAJESH K.B. (2013), *Impulse modelled response of a 300 MHz ST-quartz SAW device for sensor specific applications*, *Journal of Environmental Nanotechnology*, **2**, 15–21, doi: 10.13074/jent.2013.02.nciset33.
46. PLESSKI V. (2005), *Saw device with suspended electrodes*, WO/2005/112258.
47. PRIYA R.B., VENKATESAN T., PANDYA H.M. (2016), *A comparison of surface acoustic wave (SAW) delay line modelling techniques for sensor applications*, *Journal of Environmental Nanotechnology*, **5**, 42–47.
48. RAJ V.B. (2012), *Fabrication of metal oxide thin films based surface acoustic wave (SAW) sensors for the detection of toxic vapors/gases*, University of Delhi.
49. RAJ V.B., NIMAL A.T., PARMAR Y., SHARMA M.U., GUPTA V. (2012a), *Investigations on the origin of mass and elastic loading in the time varying distinct response of ZnO SAW ammonia sensor*, *Sensors and Actuators B: Chemical*, **166–167**, 576–585, doi: 10.1016/j.snb.2012.03.013.
50. RAJ V.B., NIMAL A.T., PARMAR Y., SHARMA M.U., SREENIVAS K., GUPTA V. (2010), *Cross-sensitivity and selectivity studies on ZnO surface acoustic wave ammonia sensor*, *Sensors and Actuators B: Chemical*, **147**, 2, 517–524.
51. RAJ V.B., NIMAL A.T., TOMAR M., SHARMA M.U., GUPTA V. (2015a), *Novel scheme to improve SnO₂/SAW sensor performance for NO₂ gas by detuning the sensor oscillator frequency*, *Sensors and Actuators B: Chemical*, **220**, 154–161.
52. RAJ V.B., SINGH H., NIMAL A.T., SHARMA M.U., GUPTA V. (2013a), *Oxide thin films (ZnO, TeO₂, SnO₂, and TiO₂) based surface acoustic wave (SAW) E-nose for the detection of chemical warfare agents*, *Sensors and Actuators B: Chemical*, **178**, 636–647.
53. RAJ V.B., SINGH H., NIMAL A.T., SHARMA M.U., TOMAR M., GUPTA V. (2017), *Distinct detection of liquor ammonia by ZnO/SAW sensor: Study of complete sensing mechanism*, *Sensors and Actuators B: Chemical*, **238**, 83–90.
54. RAJ V.B., SINGH H., NIMAL A.T., SHARMA M.U., TOMAR M., GUPTA V. (2012b), *Utilization of mass and elastic loading in oxide materials based SAW devices for the detection of mustard gas simulant*, *Advanced Materials Research*, **488–489**, 1558–1562.
55. RAJ V.B., SINGH H., NIMAL A.T., TOMAR M., SHARMA M.U., GUPTA V. (2013b), *Effect of metal oxide sensing layers on the distinct detection of ammonia using surface acoustic wave (SAW) sensors*, *Sensors and Actuators B: Chemical*, **187**, 563–573, doi: 10.1016/j.snb.2013.04.063.
56. RAJ V.B., SINGH H., NIMAL A.T., TOMAR M., SHARMA M.U., GUPTA V. (2015b), *Origin and role of elasticity in the enhanced DMMP detection by ZnO/SAW sensor*, *Sensors and Actuators B: Chemical*, **207**, 375–382.
57. RÖCK F., BARSAN N., WEIMAR U. (2008), *Electronic nose: Current status and future trends*, *Chemical Reviews*, **108**, 2, 705–725.
58. RODRÍGUEZ-MADRID J.G., IRIARTE G.F., WILLIAMS O.A., CALLE F. (2013), *High precision pressure sensors based on SAW devices in the GHz range*, *Sensors and Actuators A: Physical*, **189**, 364–369.
59. SFEROPOULOS R. (2009), *A Review of Chemical Warfare Agent (CWA) detector technologies and commercial-off-the-shelf items*, Human Protection and Performance Division, Defence Science and Technology Organisation, Fishermans Bend, Australia.
60. SHARMA M.U. *et al.* (2014), *Modelling of SAW devices for gas sensing applications – a comparison*, *Journal of Environmental Nanotechnology*, **3**, 63–66.
61. SINGH H. *et al.* (2014), *Metal oxide SAW E-nose employing PCA and ANN for the identification of binary*

- mixture of DMMP and methanol, *Sensors and Actuators B: Chemical*, **200**, 147–156.
62. SINGH H. *et al.* (2016), *SAW mono sensor for identification of harmful vapors using PCA and ANN*, *Process Safety and Environmental Protection, Transactions of the Institution of Chemical Engineers, Part B*, **102**, 577–588.
63. SMITH J.P., HINSON-SMITH V. (2006), *The new era of SAW devices*, *Analytical Chemistry*, **78**, 11, 3505–3507.
64. TASALTIN C., EBEOGLU M.A., OZTURK Z.Z. (2012), *Acoustoelectric effect on the responses of saw sensors coated with electrospun ZnO nanostructured thin film*, *Sensors (Basel)*, **12**, 9, 12006–12015.
65. TIGLI O., ZAGHLOUL M.E. (2008), *Design, modeling, and characterization of a novel circular surface acoustic wave device*, *IEEE Sensors Journal*, **8**, 11, 1807–1815.
66. VENKATESAN T., PANDYA H.M. (2013), *Surface acoustic wave devices and sensors – a short review on design and modelling by impulse response*, *Journal of Environmental Nanotechnology*, **2**, 81–90.
67. VERMA P., YADAVA R.D.S. (2015), *Polymer selection for SAW sensor array based electronic noses by fuzzy c-means clustering of partition coefficients: Model studies on detection of freshness and spoilage of milk and fish*, *Sensors and Actuators B: Chemical*, **209**, 751–769.
68. WETCHAKUN K. *et al.* (2011), *Semiconducting metal oxides as sensors for environmentally hazardous gases*, *Sensors and Actuators B: Chemical*, **160**, 1, 580–591.
69. WILSON W.C., ATKINSON G.M. (2007a), *Rapid SAW Sensor Development Tools*, NASA Technical Reports, <https://ntrs.nasa.gov/search.jsp?R=20070017252>.
70. WILSON W.C., ATKINSON G.M. (2007b), *Frequency domain modeling of SAW devices*, NSTI Nanotech 2007 – 10th International Conference on Modeling and Simulation of Microsystems; 20–24 May 2007; Santa Clara, CA; United States, pp. 73–76.
71. WOHLTJEN H., DESSY R. (1979), *Surface acoustic wave probe for chemical analysis. I. Introduction and instrument description*, *Analytical Chemistry*, **51**, 9, 1458–1464.